

MAZDA MX6 1993-97

MAZDA MX6 1993-97	
SECTION INDEX	
A/C /HEATER	93
A/C REFRIGERANT CAPACITIES	93
ABS/BRAKES	95
AIR BAG SYSTEM	95
AIR CLEANER	98
BACK WINDOW	104
CENTER CONSOLE	101
CLEAR COAT IDENTIFICATION	92
COOLING	93
COWL & DASH	100
CRUISE CONTROL SYSTEM	95
ELECTRICAL	99
EMISSION SYSTEM	99
ENGINE	98
ENGINE/TRANS MOUNTS	98
EXHAUST	99
FRONT BUMPER	92
FRONT DOOR	102
FRONT DRIVE AXLE	96
FRONT FENDER	94
FRONT INNER STRUCTURE	94
FRONT LAMPS	92
FRONT SEAT	101
FRONT STEERING LINKAGE/GEAR	97
FRONT SUSPENSION	96
FUEL TANK	106
HOOD	93
INFORMATION LABELS	92
INSTRUMENT PANEL	100
LUGGAGE LID	105
PAINT CODE LOCATION	92
QUARTER GLASS	105
QUARTER PANEL	104
REAR BODY	106
REAR BUMPER	107
REAR LAMPS	107
REAR SEAT	102
REAR SUSPENSION	106
ROCKER/PILLARS/FLOOR	101
ROOF	104
SEAT BELTS	102
SPECIAL CAUTIONS	92
STEERING PUMP	97
STEERING WHEEL/COLUMN	97
SUNROOF	104
UNDERHOOD DIMENSIONS	94
WHEEL	96
WINDSHIELD	99

SPECIAL CAUTIONS

SUPPLEMENTAL RESTRAINT SYSTEM
Refer to Procedure Explanation 29 for Supplemental Restraint/Air Bag Special Cautions.

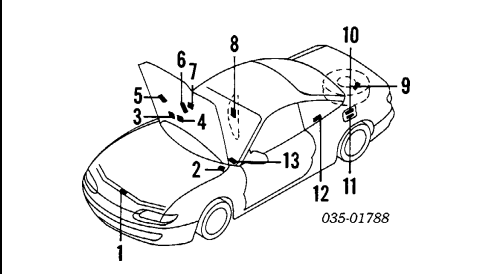
SUSPENSION
Manufacturer advises that some new fasteners must be used whenever old fasteners are loosened or removed.

PAINT CODE LOCATION
Paint code located on left lock pillar.

CLEAR COAT IDENTIFICATION
1993-94: All metallic colors are clear coat.
1995-97: All colors except Cameo White (Code UA) are clear coat.
Codes NU/NT and NX are three stage.

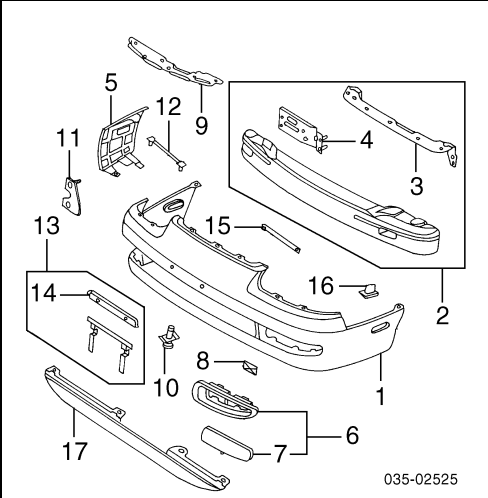
INFORMATION LABELS
Illustration Located in Next Column

1 Label, Fan Caution To 8-14-95 From 8-14-95	KL01-15-031 FS16-15-031
--	----------------------------



- | | |
|--|---|
| 2 Label, Air Bag Warning | GA2A-67-MX1 |
| 3 Label, Engine Caution | 93-94 GA2A-61-439A
95-97 GB6H-61-439 |
| 4 Label, Oil Info | GA2A-69-D21A |
| 5 Label, Emission Info | |
| 4 Cyl | |
| USA | |
| w/o Calif Emission | GA2A-69-036 |
| w/Calif Emission | GA2C-69-036B |
| Canada | N.A. |
| 6 Cyl | |
| USA | |
| w/o Calif Emission | GA2E-69-036 |
| w/Calif Emission | GA2G-69-036C |
| Canada | N.A. |
| *Order by Application | |
| 6 Label, Air Bag Caution | KA78-57-K91 |
| 7 Label, Bolt Caution | |
| 4 Cyl | FS01-69-082A |
| 6 Cyl | KL01-69-082A |
| 8 Label, Tire Pressure | |
| 4 Cyl | GA2A-69-014 |
| 6 Cyl | GA2E-69-014 |
| 9 Label, Temporary Tire | |
| USA | GL01-69-073 |
| Canada | N.A. |
| 10 Label, Unleaded Fuel | UB40-69-C61 |
| 11 Label, Fuel Warning | KA10-69-D61A |
| 12 Label, Theft Warning | FB01-66-201 |
| 13 Label, Air Bag Info | NA01-69-068A |
| Safety Panel | |
| Canada | N.A. |
| Label, Anti-Theft Audio | NA01-66-201 |
| Label, Vehicle Information | B001-69-D51 |
| Label, Fuel Economy | |
| Canada | |
| 4 Cyl | N.A. |
| 6 Cyl | N.A. |
| Label, Seat Lock-See Rear Body Section | |

FRONT BUMPER

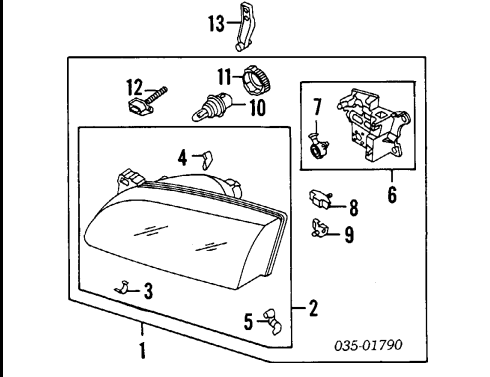


- | | |
|---------------------------------|--|
| 1 Cover, Front (P) | GAY1-50-03XA-00 |
| (P) Paint to Match | |
| 2 Reinforcement Assy | GA2A-50-070H |
| 3 Retainer, Fascia | GA2A-50-0K1A |
| 4 Seal, Bumper | R GA2A-50-0G8D
L GA2A-50-0H8D |
| *Included w/Reinforcement Assy | |
| 5 Retainer, Cover Side | R GA2A-50-0J1A
L GA2A-50-0J5A |
| 6 Bezel Assy, Fog Lamp | R GA2E-50-C1XB-00
L GA2E-50-C1YB-00 |
| 7 Cover, Lamp Hole | R GA2E-50-C12
L GA2E-50-C16 |
| *Included w/Fog Lamp Bezel Assy | |
| 8 Clip, Cover (S/Side) | R/L GJ21-50-049 |
| 9 Plate, Upper Set | GA2A-50-1A1 |
| 10 Fastener, Upper Plate | BF62-50-233 |
| 11 Plate, Side Set | R GA2A-50-1B0
L GA2A-50-1C0 |
| 12 Brkt, Bumper Side | R/L GA2E-50-160 |
| 13 Frame Assy, License | GA2A-50-170 |
| 14 Retainer, Frame Front | GN81-50-183 |
| *Included w/License Frame Assy | |

- | | |
|-------------------------|-----------------|
| 15 Retainer, Frame Rear | GD7A-50-180 |
| 16 Grommet, Cover | R/L GA2A-50-0Z5 |
| 17 Dam, Front Air | KA79-50-AH1C |

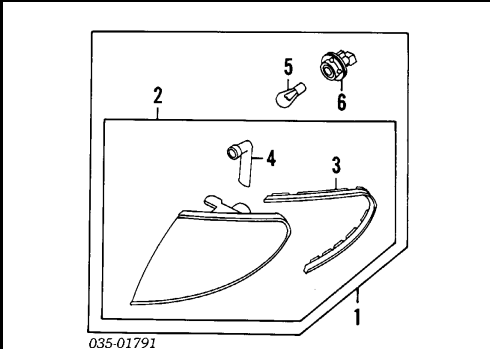
FRONT LAMPS

HEADLAMP



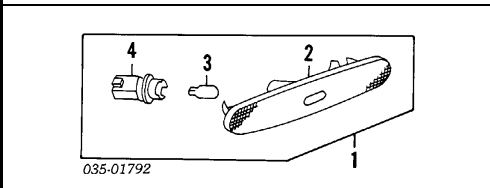
- | | |
|---------------------------------|----------------------------------|
| 1 Lamp Assy | R 8DGF-51-030
L 8DGF-51-040 |
| 2 Lens & Body Assy | R GA2A-51-0K0C
L GA2A-51-0L0C |
| 3 Clip, Lens (a) | R/L GA2A-51-0A6 |
| 4 Tube, Drain Inlet (a) | R/L GA2A-51-011A |
| 5 Tube, Drain Outlet (a) | R/L GA2A-51-012A |
| (a) Included w/Lens & Body Assy | |
| 6 Housing Assy | R GA2A-51-03XC
L GA2A-51-04XC |
| 7 Adjuster, H/Lamp (b) | R/L HF05-51-0E2 |
| (b) Included w/Housing Assy | |
| Bushing, Adjuster | |
| 8 Type A | R/L GA2A-51-0K3A |
| 9 Type B | R/L GG2A-51-0K3 |
| 10 Bulb | R/L 0000-11-9004-90 |
| 11 Collar, Bulb | R/L GJ21-51-0A3 |
| 12 Screw, Adjuster | R GA2C-51-0K3
L GA2C-51-0L3 |
| *Included w/Lamp Assy | |
| 13 Brkt, Aiming | R/L GA2A-51-0K2A |

SIGNAL LAMP



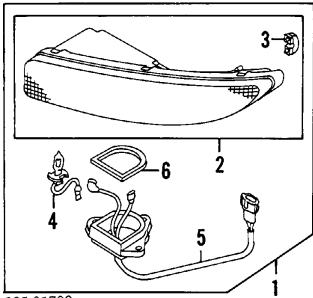
- | | |
|---------------------------------|----------------------------------|
| 1 Lamp Assy | R 8BGB-51-060A
L 8BGB-51-070A |
| 2 Lens & Body Assy | R GA2A-51-06XC
L GA2A-51-07XC |
| 3 Gasket (a) | R GA2A-51-065
L GA2A-51-075 |
| 4 Tube, Drain (a) | R/L GA2A-51-069 |
| (a) Included w/Lens & Body Assy | |
| 5 Bulb | R/L 9970-14-118 |
| 6 Socket | R/L GA2A-51-064 |
| *Included w/Lamp Assy | |

SIDE MARKER LAMP



- | | |
|-----------------------|----------------------------------|
| 1 Lamp Assy | R GA2A-51-5E0A
L GA2A-51-5F0A |
| 2 Lens & Body | R GA2A-51-5E1A
L GA2A-51-5F1A |
| 3 Bulb | R/L 0000-11-0194 |
| 4 Socket | R/L NA01-51-5E2 |
| *Included w/Lamp Assy | |

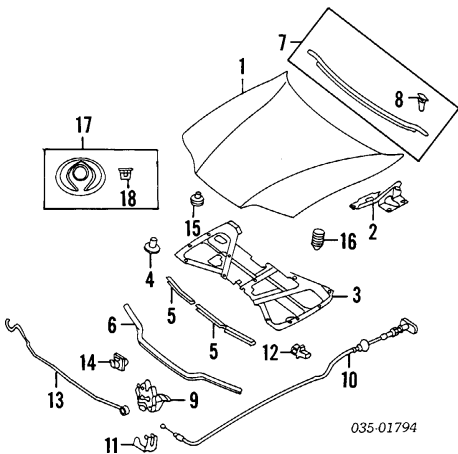
FOG LAMP



035-01793

- 1 Lamp Assy R GA2A-51-680F
L GA2A-51-690F
- 2 Lens & Body Assy R GA2A-51-68YF
L GA2A-51-69YF
- 3 Tube, Drain (a) R/L GA2A-51-6H8
(a) Included w/Lens & Body Assy
- 4 Bulb R/L A013-51-686
- 5 Socket w/Wire R/L GA2A-51-6G4A
- 6 Gasket R/L GA2A-51-682
Included w/Lamp Assy

HOOD



035-01794

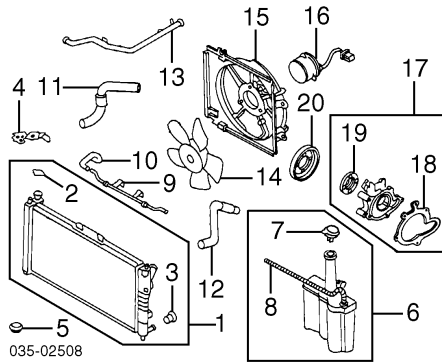
- 1 Panel, Hood GAYA-52-310A
- 2 Hinge R GA2A-52-410A
L GA2A-52-420A
- 3 Insulator, Hood GA2A-68-601E
- 4 Clip, Insulator (16) GA2A-56-694
- 5 Seal, Hood R GA2B-56-750
L GA2A-56-750B
- 6 W/Strip, Hood Front GA2A-56-770F
- 7 Weatherstrip Assy, Hood Rear GA2A-56-760B
- 8 Retainer, W/Strip R/L G031-58-762
Included w/Hood Rear Weatherstrip Assy
- 9 Latch, Hood w/Theft Deterrent GA2B-56-620B
w/o Theft Deterrent GA2A-56-620B
- 10 Cable, Release GA2A-56-720A
- 11 Fastener, Cable LA01-56-631
- 12 Clip, Cable R/L D001-56-731
- 13 Rod, Prop GA2A-56-650C
- 14 Retainer, Prop Rod GA2K-56-693A
- 15 Cushion, Hood Front R/L A001-56-786
- 16 Cushion, Hood Rear R/L GA5R-56-786
- 17 Emblem Assy, Hood GA2B-51-730A
- 18 Retainer, Emblem LA01-51-958
Included w/Hood Emblem Assy

COOLING

4 CYL

Illustration Located in Next Column

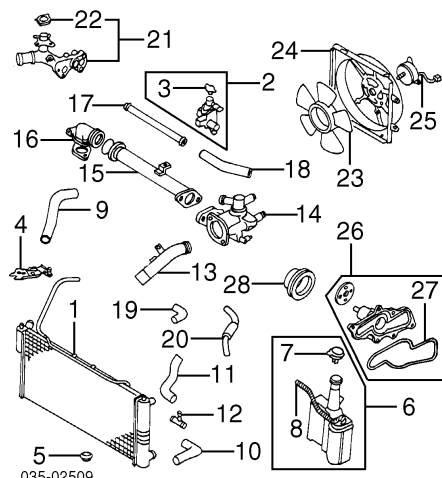
- 1 Radiator Assy Man Trans FS11-15-200D
Auto Trans FS12-15-200E
- 2 Cap, Radiator AS01-15-205
- 3 Plug, Drain A901-15-203
Included w/Radiator Assy
- 4 Brkt, Radiator R FS11-15-240B
L FS11-15-250B
- 5 Mount, Radiator R/L K802-15-202



035-02508

- 6 Tank Assy, Coolant FS11-15-350D
- 7 Cap, Tank FS11-15-355
- 8 Hose, Water 9932-40-7570
Included w/Coolant Tank Assy
- 9 Pipe, Coolant FS01-15-190C
- 10 Hose, Coolant FS01-15-381
- 11 Hose, Rad Upper To 6-93 FS05-15-186
From 6-93 FSC4-15-186
- 12 Hose, Rad Lower To 6-93 FSM1-15-185A
From 6-93 FSC4-15-185
- 13 Pipe, By-Pass FS01-15-290C
- 14 Blade, Fan 1993-95 FE68-15-140A
Man Trans FE68-15-140
Auto Trans FE68-15-140A
1996-97
- 15 Shroud, Fan 1993-95 FS11-15-210
Man Trans FS12-15-210A
Auto Trans FS11-15-210
- 16 Motor, Fan 1993 FS11-15-150
Man Trans KL20-15-150
Auto Trans FS59-15-150
1994-95 KL56-15-150
Man Trans FS59-15-150
Auto Trans 8AG9-15-010
1996-97 FS02-15-116
- 17 Pump Assy, Water FS01-15-117A
- 18 Gasket, Pump Included w/Water Pump Assy
- 19 Plate, Pump FS01-15-131
- 20 Pulley, Pump FS01-15-131

6 CYL



035-02509

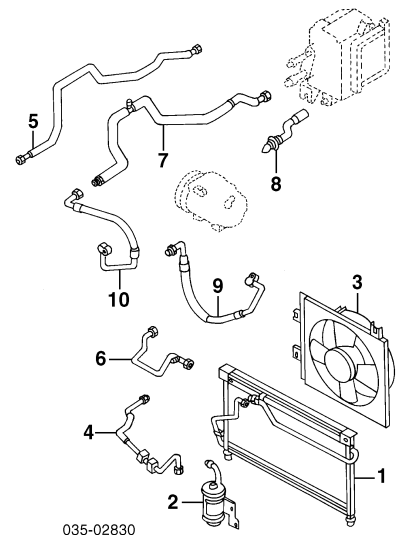
- 1 Radiator Man Trans KL11-15-200D
Auto Trans KL12-15-200D
- 2 Tank Assy, Expansion KL78-15-35X
- 3 Cap, Expansion Tank 93-94 KL11-15-205A
95-97 KL61-15-205
Included w/Expansion Tank Assy
- 4 Brkt, Radiator R FS11-15-240B
L FS11-15-250B
- 5 Mount, Radiator R/L K802-15-202
- 6 Tank Assy, Coolant FS11-15-350D
- 7 Cap, Tank FS11-15-355
- 8 Hose, Water 9932-40-7570
Included w/Coolant Tank Assy
- 9 Hose, Rad Upper To 6-93 KL05-15-186

- From 6-93 KL56-15-186
- Hose, Rad Lower
- 10 To Union KL05-15-189A
To 6-93 KL56-15-189
- 11 To Water Pipe To 6-93 KL05-15-185B
From 6-93 KL56-15-185
- 12 Union KL01-15-197
- 13 Pipe, Water By-Pass K805-15-180C
- 14 Cover, Thermostat KL11-15-170E
- 15 Pipe, Water KL01-15-190B
- 16 Inlet, Water Pump KL01-15-161A
- 17 Pipe, Water By-Pass KL01-15-270
- 18 Hose, Water By-Pass KL01-15-261
- 19 Hose, Upper By-Pass KL11-15-183
- 20 Hose, Lwr By-Pass 93 KL01-15-184D
94-97 KL56-15-184
- 21 Outlet Assy, Water 93-94 K817-15-172D
95-97 KL61-15-172C
- 22 Cap, Outlet 93-94 KF01-15-205
95-97 KL78-15-205
Included w/Water Outlet Assy
- 23 Blade, Fan 1993 FS12-15-140
Man Trans FS12-15-140
Auto Trans FS12-15-140
1994-97 FS12-15-140A
- 24 Shroud, Fan 93 KL20-15-150
- 25 Motor, Fan 94-97 KL56-15-150
- 26 Pump Assy, Water 93 8AK2-15-010
94-97 8AK2-15-010
- 27 Gasket, Pump KL01-15-106
Included w/Water Pump Assy
- 28 Pulley, Pump 93-94 KL01-15-131
95-97 KL47-15-131

A/C REFRIGERANT CAPACITIES

- A/C R-12 Refrigerant Capacity 1993: 26 Ozs (1.62 Lbs)
- A/C R-134 Refrigerant Capacity 1994-97: 24.7 Ozs (1.54 Lbs)

A/C /HEATER



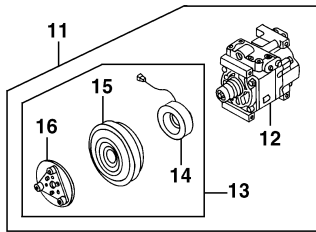
035-02830

- 1 Condenser GB6H-61-480
- 2 Receiver/Drier GB6H-61-500
- 3 Fan, Condenser 93-95 GA2A-61-710A
96-97 GD1E-61-710
GA2E-61-710A
- 4 Front 1993 GA2A-61-46ZB
1994-96 GB6H-61-46Z
1997 GD4T-61-464
4 Cyl GD4W-61-464
6 Cyl GB6H-61-466A
- 5 Rear GB6H-61-466A
- 6 Front 93 GA2A-61-469A
94-96 GB6H-61-469A
97 GB7E-61-469B
93 GA2A-61-465B
94-97 GB6H-61-465
- 7 Rear GA2A-61-52X
- 8 Hose, Drain GB6H-61-4G0A
- 9 Hose, High Pressure 93 GB6M-61-4G0B
94 GB6M-61-4T0A
95-97 GB6M-61-461B
- 10 Hose, Low Pressure 93 GD1E-61-4T0

MAZDA MX6 1993-97

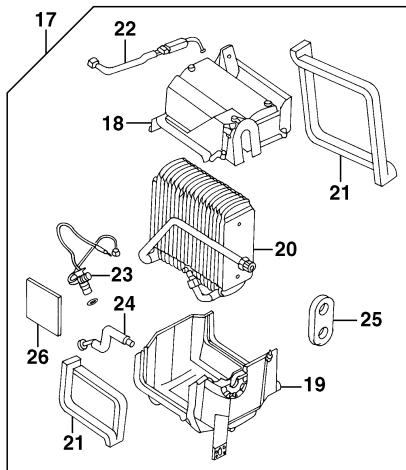
A/C / HEATER Cont'd

6 Cyl 94-97 GD1E-61-462
93 GB6M-61-4T0A
94-97 GB6M-61-4T0A



035-02831

- 11 Compressor Assy
 - 4 Cyl 93 GA2A-61-450
 - 94-97 GB6H-61-450D
 - 6 Cyl 93 GA2E-61-450
 - 94-97 GB6M-61-450D
 - 12 Compressor
 - 13 Clutch Assy, Compressor
 - 4 Cyl 93 GA2A-61-L10
 - 94-97 GB6H-61-L10
 - 6 Cyl 93 GA2E-61-L10
 - 94-97 GB6M-61-L10
 - 14 Coil, Clutch (a)
 - 15 Pulley, Clutch (a)
 - 16 Armature, Clutch (a)
- †Included w/Compressor Assy
 (a) Included w/Compressor Clutch Assy

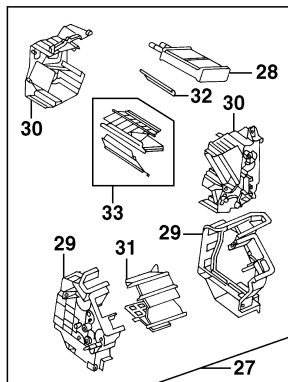


035-02832

- 17 Evaporator Assy 93 GA2A-61-520C
 - 18 Cover, Evap Upper† 94-97 GB6H-61-520A
 - 19 Cover, Evap Lower† GA2A-61-J01
 - 20 Core, Evap† GA2A-61-J02
 - 21 Seal, Evaporator† GA2A-61-J10
 - 22 Thermostat† R GA2A-61-J04
 - 23 Valve, Expansion† L GA2A-61-J05
 - 24 Pipe, Evaporator† GA2A-61-J20
 - 25 Grommet† 93 GA2A-61-J14
 - 26 Insulator† 94-97 BC1M-61-J14
- †Included w/Evaporator Assy

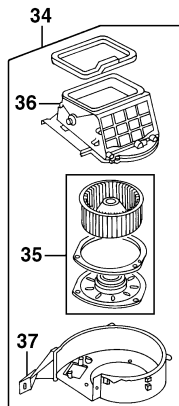
Illustration Located in Next Column

- 27 Heater Assy 93 GA2A-61-130B
- 94 GB6H-61-130B
- 95-97 GC1M-61-130A
- 28 Core, Heater† GA2A-61-A10
- 29 Case, Heater Outer† 93 R GA2A-61-A03
- L GA2A-61-A04
- 94-97 R/L GB6H-61-A03-4
- 30 Case, Heater Inner† 93 R GA2A-61-A01



035-02833

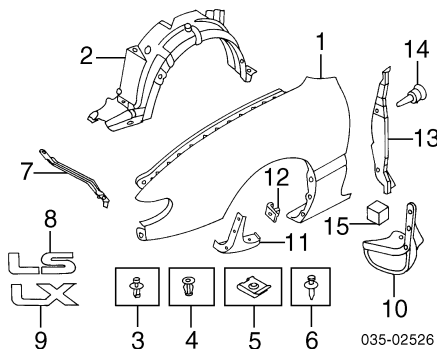
- 31 Damper, Heater Outer† L GA2A-61-A02
 - 94-97 R/L GC1M-61-A01-2
 - 93 GA2A-61-A1X
 - 94-97 GB6H-61-A1X
 - Damper, Heater Inner†
 - 32 Upper GA2A-61-A1Z
 - 33 Lower GA2A-61-A1Y
- †Included w/Heater Assy



035-02834

- 34 Blower Assy GA2A-61-140F
 - 35 Motor w/Fan† GA2A-61-B10
 - 36 Case, Upper† GA2A-61-B01
 - 37 Case, Lower† GA2A-61-B02
- †Included w/Blower Assy

FRONT FENDER



035-02526

- 1 Fender R GAYA-52-110
- L GAYA-52-210
- 2 Liner, Fender R GA5R-56-131D
- L GA5R-56-141D
- Retainer, Fender Liner
- 3 Type A (2/Side) R/L B455-56-143
- 4 Type B (2/Side) R/L B455-56-145
- 5 Type C (2/Side) R/L 8597-61-122
- 6 Type D (9/Side) R/L NA01-56-145
- 7 Stay, Fender Ornament, Fender R/L GA2A-56-211B
- 8 "LS" 93-94 R/L GA2E-51-761-62
- 95-97 R/L GA2E-51-761A
- 9 "LX" R/L GA2M-51-761-62

- Hook, Tow R GA2C-53-36X
- L GA2C-54-36X
- 10 Mudguard† R GA2A-51-840A-J3
- L GA2A-51-850A-J3

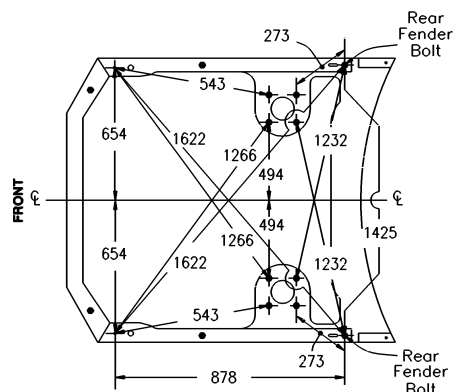
†Platinum listed, Order by Application

G1 Sahara Gold Metallic; G2 Nassau Blue Metallic;
J3 Platinum; NN Ebony; PZ Brilliant Black;
NU Vintage Red; NX Laser Red Tinted; PE Vivid Yellow
UA Cameo White; UC Crystal White; UK Performance White;
13 Passion Rose; 15 Vintage Red; 46 Neat Green;
21 Sandalwood; 24 Timberline Metallic; 36 Dark Lobelia;
48 Medium Poppy; 4Y Caribbean Blue; 67 Platinum

- 11 Guard, Stone R GC1V-50-4V1
- L GC1V-50-4W1
- 12 Grommet R/L B092-51-832
- 13 Plate, Seal R GA2A-56-391D
- L GA2A-56-396D
- 14 Fastener, Seal R/L GA2A-56-399A
- 15 Insulator, Pillar R/L GD4T-56-458

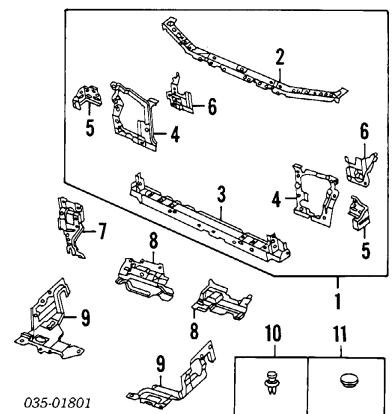
UNDERHOOD DIMENSIONS

061-40029



FRONT INNER STRUCTURE

FRONT



035-01801

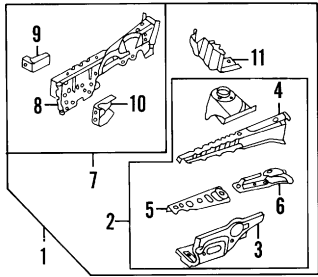
- 1 Support Assy, Radiator GA2A-53-100U
 - 2 Bar, Upper Tie† GA2A-53-150E
 - 3 Bar, Lower Tie† GA2A-53-16XH
 - 4 Panel, Side† R GA2A-53-120C
 - L GA2A-54-120C
 - 5 Brkt, Side Panel† R GA2A-53-12YC
 - L GA2A-54-12YC
 - 6 Brkt, Lwr Tie Bar† R GA2A-53-16YE
 - L GA2A-54-16YC
- †Included w/Radiator Support Assy
- 7 Support, Hood Latch GA2A-52-15YB
 - 8 Seal, Rad Support R GA2A-56-381B
 - L GA2A-56-382C
 - 9 Cover, Engine Under R GA2A-56-330
 - L GA2A-56-341A
 - 10 Retainer, Cover R/L UB39-45-919
 - 11 Cover, Service Hole 0810-56-639

SIDE

Illustration Located in Next Column

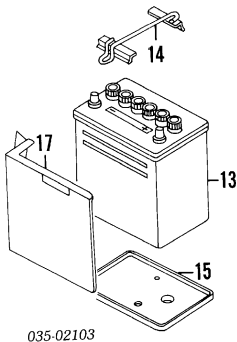
- 1 Apron & Sidemember Assy R GAYA-53-20Y

MAZDA MX6 1993-97



035-02102

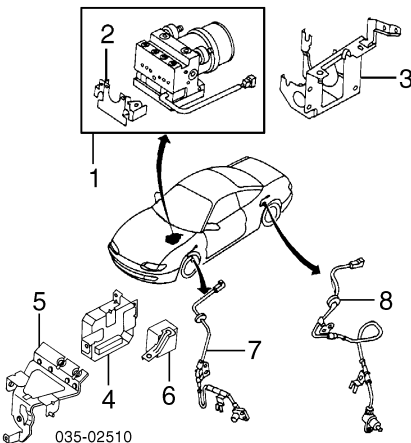
- 2 Panel Assy, Apron]] L GAYA-54-20Y
R GAYA-53-21Y
- 3 Panel, Apron]] (a) L GAYA-54-21Y
R GA2A-53-220F
- 4 Reinf, Upper Apron]] (a) L GAYA-54-22Y
R GA2A-53-260C
- 5 Plate, Apron Seal]] (a) L GA2A-54-260B
R GA2A-53-272A
- 6 Reinf, Lower Apron]] (a) L GA2A-54-272A
R GA2A-53-270D
- (a) Included w/Apron Panel Assy
- 7 Frame Assy, Side]] R GA2A-53-31XH
L GA2A-54-31XJ
- 8 Rail, Frame]] (a) R GA2A-53-320F
L GA2A-54-320G
- 9 Brkt, Bumper]] (a) R/L GA2A-54-335A
- 10 Reinf, Bumper]] (a) R/L GA2A-53-323
- (a) Included w/Side Frame Assy
- 11 Seal, Side Frame]] R GA2A-53-390C
L GA2A-54-390C
- (a) Included w/Apron & Sidemember Assy
- 12 Reinf, Side Frame R GA2A-53-291A
L GA2A-54-291A



035-02103

- 13 Battery-See Electrical Section
- 14 Clamp, Battery GA2A-56-042
- 15 Tray, Battery GA2A-56-040A
- 16 Brkt, Battery Clamp GD7A-56-03Y
- 17 Shield, Battery FS01-18-591D

ABS/BRAKES



035-02510

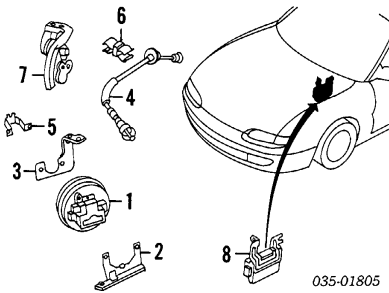
- 1 Actuator Assy, ABS 93-94 GA2G-43-7A0C
95-96 GB6N-43-7A0
97 GD4T-43-7A0A
- 2 Cover, Actuator]] 93-96 GA2G-43-7A4
97 N.A.

- 3 Bracket, Actuator 93-96 GA2G-43-310B
97 GA2G-43-310B
- 4 Computer, ABS 93-94 GA2A-67-650
95-96 KB42-67-650
97 GD1E-67-650A
- 5 Bracket, Computer GA2A-67-990A
- 6 Relay, ABS GA2B-67-740A
- 7 Sensor, Front R G06T-43-70X
L G06T-43-73X
- 8 Sensor, Rear 93 R G06T-43-71Y
L G06T-43-72Y
94-97 R G06T-43-71Y
L G06T-43-72Y

Ring, Sensor
Front-See Front Suspension Section
Rear-See Rear Suspension Section

CRUISE CONTROL SYSTEM

1993



035-01805

- 1 Actuator, Cruise GA2B-66-312
- 2 Brkt, Actuator Front GA2B-66-3A2A
- 3 Brkt, Actuator Rear GA2B-66-3A1A
- 4 Cable, Cruise Control GA2B-66-311B
- 4 Cyl 4 Cyl GA2C-66-311
6 Cyl GA2D-66-311
- Man Trans GA2C-66-311
- Auto Trans GA2D-66-311
- 5 Brkt, Cable GA2B-66-3A2A
- 6 Clip, Cable GA97-66-365
- 7 Linkage, Cable KL01-13-64X
- 8 Computer, Cruise GA2B-66-320C
- Switch, Cruise]] GA2B-66-3D1A
- (a) Included w/Steering Wheel Assy

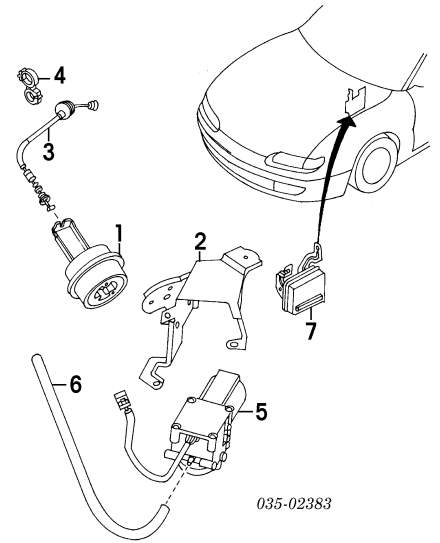
1994-97 4 CYL MAN TRANS 6 CYL

- 1 Actuator, Cruise GA2B-66-312
- 2 Brkt, Actuator Front GA2B-66-3A2A
- 3 Brkt, Actuator Rear GA2B-66-3A1A
- 4 Cable, Cruise Control GA2C-66-360A
- 1994 4 Cyl GA2C-66-311
6 Cyl GA2D-66-311
- Man Trans GA2C-66-311
- Auto Trans GA2D-66-311
- 1995-97 4 Cyl GA2B-66-311B
6 Cyl GA2B-66-311B
- Man Trans GA2C-66-311
- Auto Trans GA2D-66-311
- 5 Brkt, Cable 94 GA2B-66-3A2A
95-97 GA2B-66-3A8
- 6 Clip, Cable 94 GA97-66-365
95-97 UC94-45-960
- 7 Linkage, Cable KL01-13-64X
- 8 Computer, Cruise GC1M-66-320A
- Switch, Cruise]] 94 GA2B-66-3D1A
95-97 GB7E-66-3D1
- (a) Included w/Steering Wheel Assy

1994-97 4 CYL AUTO TRANS

Illustration Located in Next Column

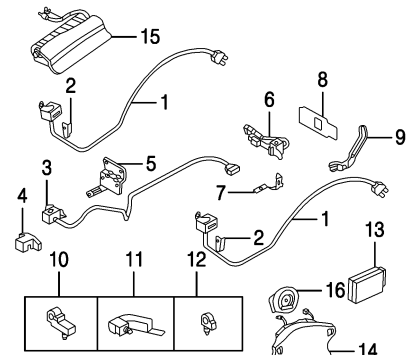
- 1 Actuator, Cruise GB6H-66-312B
- 2 Bracket, Actuator GB6H-66-3A9A
- 3 Cable, Cruise Control GB6H-66-311
- 4 Clip, Cable AS03-20-810
- 5 Pump, Vacuum GB6H-66-314
- 6 Pipe, Cruise Control GB6H-66-361A
- 7 Computer, Cruise GC1P-66-320A
- Switch, Cruise]] 94 GA2B-66-3D1A
95-97 GB7E-66-3D1
- (a) Included w/Steering Wheel Assy-listed in Steering Wheel/Column Section



035-02383

AIR BAG SYSTEM

1993-94



035-04353

- 1 Sensor, Front R GA2A-57-K2XH
L GA2A-57-K2YF
- 2 Brkt, Front Sensor R GA2A-57-KX2A
L GA2A-57-KY2A
- 3 Sensor, Center GA2A-57-K1XH
- 4 Cover, Ctr Sensor GA2A-57-K47A
- 5 Brkt, Ctr Sensor GA2A-57-KX0C
- 6 Sensor, Inner GA2A-57-K40C
- 7 Brkt, Inner Sensor GA2A-57-KX7C
- 8 Cover, Hole GA2A-57-GW2A
- 9 Clip, Frt Sensor R/L GA2B-57-K97
- Retainer, Sensor
- 10 Type A R/L GA2A-57-K9ZA
- 11 Type B R/L GA2A-57-K95C
- 12 Type C (3/Side) R/L GA2E-57-K96
- 13 Control Unit, Diagnostic GA2A-57-7FOA
- Module, Air Bag
- 14 Driver Side GB7E-57-K00
- 15 Passenger Side 94 GCYV-57-K70-02
- 16 Clockspring GB6H-66-CS0D

1995-97

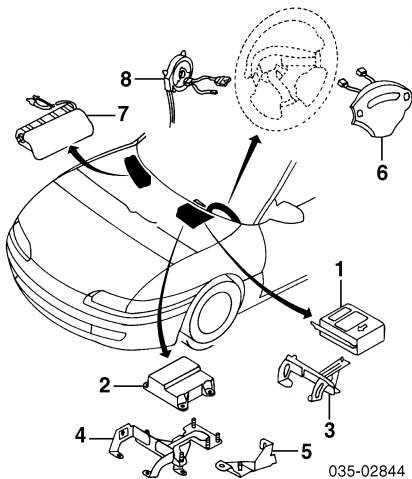
Illustration Located in Next Column

- Sensor Unit, Air Bag
- 1 1995-96 GE5G-57-K30
- 2 1997 GE5G-57-K30
- Bracket, Sensor
- 3 1995-96 GC1M-57-KX0B
- 1997
- 4 Upper GE5G-57-KX0C
- 5 Lower GB6H-57-KX0A
- Module, Air Bag
- 6 Driver Side GC1V-57-K00
- 7 Passenger Side Black GCYV-57-K70-02
Brown GCYV-57-K70-90
- 8 Clockspring GB6H-66-CS0D

MAZDA MX6 1993-97

AIR BAG SYSTEM Cont'd

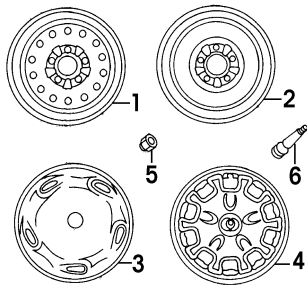
1995-97 Cont'd



035-02844

WHEEL

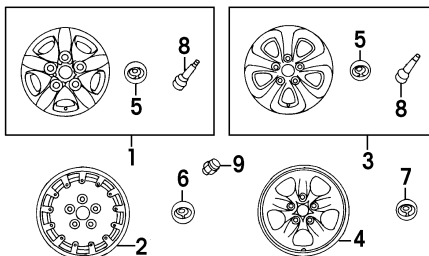
STEEL WHEEL



035-02384

1 Wheel, Steel	93-94 9965-C4-5540 95-97 9965-F9-5540
2 Wheel, Spare Cover, Wheel	9965-21-4050
3 1993-94	GA2A-37-170C
4 1995-97	GC1N-37-170B
5 Nut, Lug	0603-26-161A
6 Stem, Valve	9963-60-4130

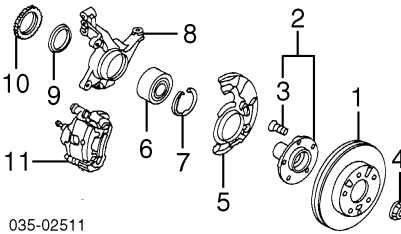
ALLOY WHEEL



035-02385

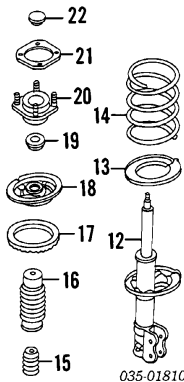
Wheel Assy	
14" Wheels	
1 1993-94	8DGP-37-600
2 1995-97	9965-18-6040
15" Wheels	
3 1993-94	8DGN-37-600
4 1995-97	9965-13-6550
Cap, Center	
5 1993-94	GA2P-37-192B
6 14" Wheels	GC1M-37-192
7 15" Wheels	GC1S-37-192
Stem, Valve	
8 1993-94	9963-60-4130
9 1995-97	9963-60-4130
*Included w/1993-94 Wheel Assy	
9 Nut, Lug	B002-37-160A

FRONT SUSPENSION



035-02511

1 Rotor, Brake	R/L GA2Y-33-25XA
2 Hub Assy	R/L GA2A-33-060D
3 Stud, Wheel	R/L J00Y-33-062
*Included w/Hub Assy	
4 Cap, Grease	R/L GJ21-33-042B
5 Shield, Splash	R GA2A-33-261 L GA2A-33-271
6 Bearing	R/L GA2A-33-047D-MV
7 Ring, Snap	R/L GE4T-33-048
8 Knuckle, Steering	R GG2A-33-021A L GG2A-33-031A
9 Seal, Oil	R/L GA2A-33-065
10 Ring, Sensor	R/L GA2G-33-471A
11 Sensor, ABS Rotor-See Anti-Lock Brake System Section	
12 Caliper, Brake USA	R GAYA-33-98ZR L GAYA-33-99ZR
Canada	R/L N.A.
*Remanufactured Part. Contact Dealer for Core Charge & Exchange Information	
Hose, Brake	R/L B455-43-980B

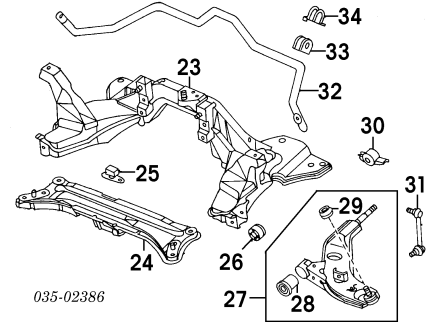


035-01810

12 Strut Assy	R GC5D-34-700A L GC5D-34-900A
13 Seat, Lower	R/L GA2A-34-0A3A
14 Spring, Coil	4 Cyl
Man Trans	R/L G479-34-011A
Auto Trans	R/L G480-34-011A
6 Cyl	
Man Trans	R/L G481-34-011A
Auto Trans	R/L G482-34-011
R/L GA2A-34-111	
15 Bumper, Bound	
16 Cover, Lever	1983-85 R/L GA2A-34-015 1996 R/L GA2A-34-015
17 Seal, Seat	R/L GD1E-34-015
18 Seat, Upper	R/L GD1M-34-015
19 Plate, Strut Brg	R/L GD1M-34-015
20 Mount, Strut Upper	R/L GD1M-34-015
21 Gskt, Mount	R/L GA2A-34-012
22 Cap, Dust	R/L GA2A-34-340 R/L GA2A-34-38XA R/L GA2A-34-380 R/L GA2A-34-003 R/L 1011-34-019

Illustration Located in Next Column

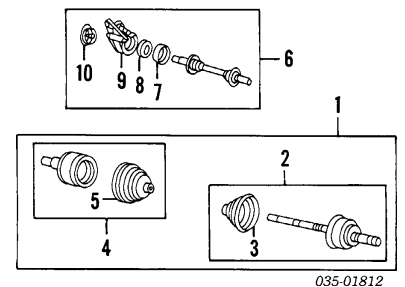
23 Crossmember, Suspension	4 Cyl GA2A-34-800D 6 Cyl GA2A-34-800D
24 Member, Transverse	4 Cyl GE4T-34-H90C 1993 GE4T-34-H90C 1994 w/o Calif Emission w/Calif Emission GB6H-34-H90 Man Trans GE4T-34-H90C Auto Trans GE4T-34-H90C 1995-97 Man Trans GE4T-34-H90C Auto Trans



035-02386

To 4-5-95	GE4T-34-H90C
From 4-5-95	GE6T-34-H90C
6 Cyl	
1993-95	GA2E-34-H90B
1996-97	
Man Trans	GE4T-34-H90C
Auto Trans	GE6T-34-H90C
25 Damper, Transverse	GA2A-34-980
26 Damper, Crossmember	R/L GE4T-34-990
27 Arm Assy, Lower Control	
4 Cyl	R GA2B-34-300A L GA2B-34-350A
6 Cyl	R GA2A-34-300A L GA2A-34-350A
28 Bushing, Arm Front	R/L GA2B-34-470A R/L GA2A-34-470A
4 Cyl	R/L G030-34-565
29 Seal, Dust	*Included w/Lower Control Arm Assy
30 Bush, Arm Mount	93-96 R GA2A-34-46XE L GA2A-34-46YE 97 R GD1E-34-46X L N.A. R GA2A-34-150A L GA2A-34-170A
31 Link, Cont Arm	
32 Bar, Stabilizer	GA2A-34-151
4 Cyl	GA2A-34-151
6 Cyl	
33 Bushing, Stabilizer	R/L GA2A-34-156
34 Brkt, Stab Bushing	93 R/L GA2A-34-155B 94-97 R/L GB6H-34-155

FRONT DRIVE AXLE



035-01812

1 Shaft Assy, Axle	Man Trans	93 R G568-25-500R-0B L G568-25-600R-0B
4 Cyl		94-97 R G592-25-500R-0A L G592-25-600R-0A
6 Cyl		93 R G570-25-500R-0C L G570-25-600R-0C
Auto Trans		94-97 R G594-25-500R-0C L G594-25-600R-0C
4 Cyl		93 R G584-25-500R-0D L G584-25-600R-0A
6 Cyl		94-97 R G584-25-500R-0D L G590-25-600R-0B R G594-25-500R-0C L G594-25-600R-0C
2 Joint Assy, Outer	Man Trans	R/L G568-22-510B
4 Cyl		R/L G570-22-510B
6 Cyl		
Auto Trans		R/L G685-22-510
4 Cyl		R/L G567-22-510
3 Boot, Outer Joint (a)	Man Trans	93-96 R/L GA2K-V9-050-9U
4 Cyl		97 R/L G592-22-530
6 Cyl		R/L G570-V9-050-9U
Auto Trans		R/L G567-22-530-9U
(a) Included w/Outer Joint Assy		
4 Joint Assy, Inner	Man Trans	93-96 R G568-22-520
4 Cyl		

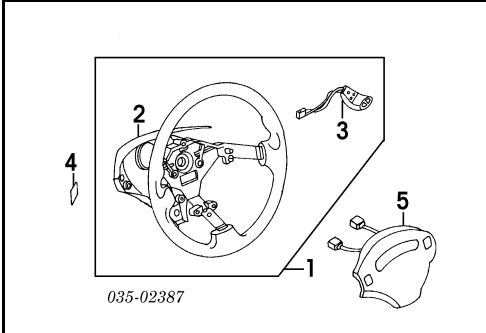
MAZDA MX6 1993-97

	L	G568-22-620
	97 R	G592-22-520
	L	G592-22-620
6 Cyl	R	G570-22-520
	L	G570-22-620
Auto Trans		
1993	R	G567-22-520
	L	G567-22-620
1994-97		
4 Cyl	R	G567-22-520
	L	GG91-22-620
	R	G567-22-520
	L	G567-22-620
5 Boot, Inner Joint (b)		
Man Trans		
4 Cyl	93-96 R/L	G568-22-540
	97 R/L	G592-22-540
6 Cyl	R/L	G570-22-540-9U
Auto Trans	R/L	G567-22-540-9U
		<i>Included w/Axle Shaft Assy</i>
		<i>(b) Included w/Inner Joint Assy</i>
6 Shaft Assy, Intermediate		
Man Trans		
4 Cyl		G560-25-700E
6 Cyl		G562-25-700B
1993		G562-25-700B
1994-97		
To 12-94		GA09-25-700C
From 12-94		GA09-25-700C
Auto Trans		
4 Cyl	93	G570-25-700D
	94-97	G578-25-700A
6 Cyl	93	G572-25-700B
	94-97	G579-25-700D
7 Seal, Inner		
4 Cyl		
1993-96		G560-25-744
1997		
Uchiyama Brand		F011-25-744
Keeper Brand		F011-25-744
6 Cyl		
To 12-94		G569-25-744
From 12-94		G560-25-744
8 Bearing, Shaft		
4 Cyl		9960-68-2064
6 Cyl		G569-25-155
9 Brkt, Shaft		
Man Trans		
4 Cyl		G560-25-741A
	93	G564-25-741B
6 Cyl	94-97	G569-25-741B
Auto Trans		
4 Cyl	93	G570-25-741A
	94-97	G578-25-741A
6 Cyl	93	G574-25-741B
	94-97	G579-25-741B
10 Seal, Outer		
4 Cyl		
1993-96		G560-25-742
1997		
Uchiyama Brand		F011-25-742
Keeper Brand		F011-25-742
6 Cyl		
To 12-94		G569-25-742
From 12-94		G560-25-742
		<i>Included w/Intermediate Shaft Assy</i>

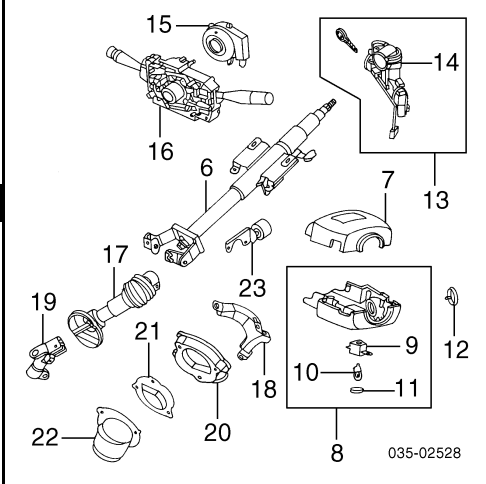
6 Cyl	R/L	GA2A-32-240A
6 Boot	R/L	GA2B-32-12X
7 Support Kit, Tube		GA2B-32-190
8 Tube, Pressure	R	GA2B-32-44Z
	L	GA2B-32-44Y
	L	GN81-32-480
9 Tube, Return		
10 Bushing, Mounting	R	GA2B-32-123
	L	GD7A-32-124
11 Bracket, Mounting	R	GB6P-32-133
	L	GA2B-32-134
		<i>Included w/Gear Assy</i>
12 End Assy, Tie Rod	R/L	8AG4-32-280
13 Seal, Tie Rod End	R/L	B455-32-279
		<i>Included w/Tie Rod End Assy</i>

14 Switch, Ignition (a)		H380-66-151A
		<i>Included w/Lock Cylinder Set</i>
		<i>(a) Included w/Steering Lock Cylinder Assy</i>
15 Clockspring-See Air Bag System Section		
16 Switch, Combination		
1993		GA2A-66-120A
1994		GB6H-66-120
1995		
Base Model		GC1M-66-120
LS Model		GBCH-66-120
1996-97		
w/Variable Wipers		GD1J-66-120
w/o Variable Wipers		GD1E-66-120
Switch, Turn Signal		
Shaft, Lower		GA2A-66-120A
17 Bracket, Steering		GA2A-32-860D
18 Coupling		GA2A-32-850C
19 Plate, Upper Cover	93	GA2A-32-212E
	94-97	GA2C-32-212A
21 Plate, Lower Cover		GA2C-32-216
22 Boot	93	GA2A-32-211B
	94-97	GA2C-32-211
23 Damper, Dynamic		GA2C-32-DD0A

STEERING WHEEL/COLUMN

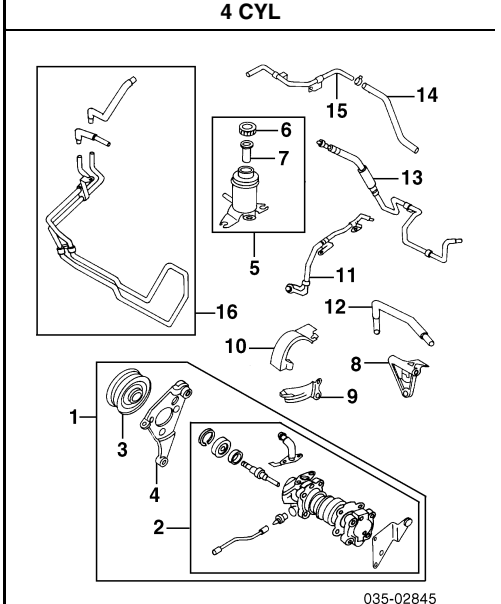


1 Wheel Assy, Steering		
1993-94		
w/Leather		GA2D-32-980D
w/o Leather		GA2B-32-980D
1995-97		
4 Cyl		GB7E-32-980
6 Cyl		GB7G-32-980
2 Cover, Wheel Core		
1993-94		
4 Cyl		GA2B-32-049
6 Cyl		GA2D-32-049
1995-97		GA2B-32-049A
3 Switch, Cruise		
		<i>-See Cruise Control System Section</i>
		<i>Included w/Steering Wheel Assy</i>
4 Cover, Service Hole	R/L	GA2B-32-9L1
5 Module, Air Bag-See Air Bag System Section		



6 Column, Steering		GA2A-32-100E
7 Cover, Upper Column		GA2A-60-220F
8 Cover Assy, Lower Column		GA2A-60-230C
9 Socket, Cover Lamp		GA2A-60-245A
10 Bulb		B456-60-223
11 Lens, Cover Lamp		GA2A-60-246
		<i>Included w/Lower Column Cover</i>
12 Bezel, Cylinder		LA01-60-261
Cylinder Set, Lock		
w/Theft Deterrent		
1993-95		
Man Trans		GA2A-09-010P
Auto Trans		GA2C-09-010T
1996-97		
Man Trans		GD1N-09-010A
Auto Trans		GD1M-09-010A
w/o Theft Deterrent		
Man Trans		GA2E-09-010N
Auto Trans		GA2C-09-010V
		<i>Includes Ignition, Glove Box, Doors & Luggage Lid</i>
13 Cylinder Assy, Steering Lock		
To 4-95		
Man Trans		GA2A-76-290D
Auto Trans		GA2C-76-290D
From 4-95		
Man Trans		GA2A-76-290D
Auto Trans		GA2C-76-290D

STEERING PUMP



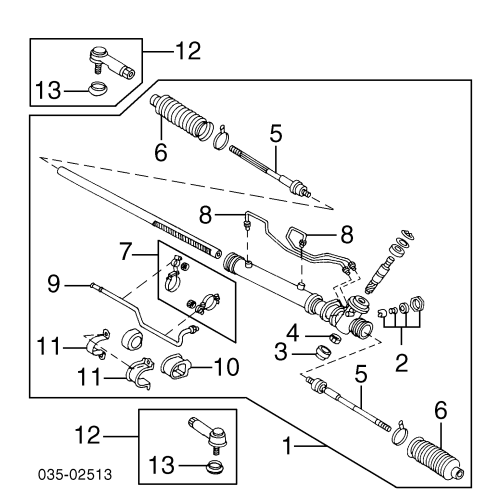
1 Pump Assy, Steering	93-95	GD7E-32-600R-00
2 Pump, Steering		
1996		GD7E-32-600R-00
1997		
Man Trans		GD7E-32-600R-00
Auto Trans		GD7E-32-600R-00
3 Pulley, Pump		
1993-95		GA2B-32-620
1996-97		GA2B-32-620
4 Bracket, Pulley		
1993-95		G06T-32-60X
1996-97		G06T-32-60X
		<i>Included w/Steering Pump Assy</i>
5 Reservoir Assy, Pump		GA2G-32-69XA
6 Cap, Reservoir		GA2G-32-691
7 Filter		GA2G-32-503
		<i>Included w/Pump Reservoir Assy</i>
8 Bracket, Pump Reservoir		GE4T-32-603
9 Strap		GA2B-32-605A
10 Shield, Idler Pulley		GA2A-32-634A
11 Hose, Pressure		GA2A-32-490E
12 Hose, Suction		GA2A-32-688B
		<i>Included w/Steering Pump Assy</i>
13 Hose, Gear Pressure		GB6H-32-430B
14 Hose, Return		GA2B-32-683B
15 Tube, Return		GB6H-32-410
16 Tube Assy, Cooler		GA2B-32-470F

6 CYL

Illustration Located in Next Column

1 Pump Assy, Steering	93-94	GD7E-32-600R-00
	95	GD7E-32-600R-00
2 Pump, Steering	96-97	GD7E-32-600R-00
3 Pulley, Pump		
1993-95		GA2F-32-620A
1996-97		
		<i>Included w/Steering Pump Assy</i>
4 Pulley Assy, Idler		K806-15-930D
5 Pulley, Idler		K805-15-94XA
6 Collar, Pulley		KL01-15-94Z
7 Bracket		EA03-32-603D

FRONT STEERING LINKAGE/GEAR



1 Gear Assy		
1993		
4 Cyl		GG2A-32-110R-0A
6 Cyl		GG2A-32-110R-0A
1994-97		
4 Cyl		GG2A-32-110R-0A
6 Cyl		GG2A-32-110R-0A
2 Yoke Set, Support —Serviced w/Gear Assy		
3 Nut, Lock Outer		GA2B-32-131
4 Nut, Lock Inner		GA2B-32-130
5 Rod, Tie		
4 Cyl	R/L	GA2A-32-240A

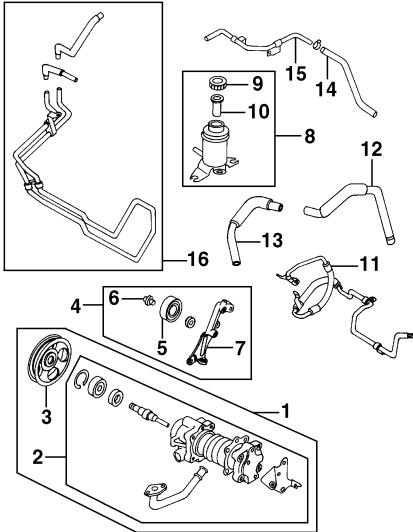
madpl1_g01_

Procedure Explanation Pages Must Be Used with the Above Text for an Accurate Damage Report.
Comments or suggestions? Need assistance? Call 1-800-854-7030 or 858-578-6550. Ext. 8220. Fax 1-888-256-7969 or 858-549-0629.

MAZDA MX6 1993-97

STEERING PUMP Cont'd

6 CYL Cont'd



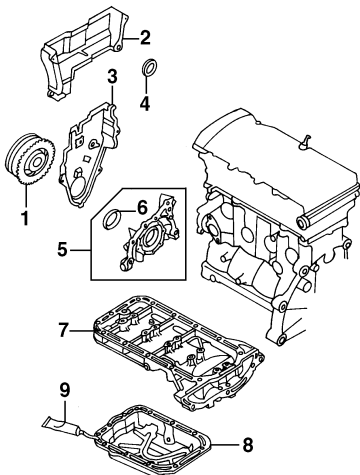
035-02846

†Included w/Idler Pulley Assy

- 8 Reservoir Assy, Pump GA2G-32-69XA
- 9 Cap, Reservoir† GA2G-32-691
- 10 Filter† GA2G-32-503
- †Included w/Pump Reservoir Assy
- 11 Hose, Pressure
 - 1993 GA2E-32-420C
 - To 6-22-92 GA2G-32-420A
 - From 6-22-92 GB6M-32-420
 - 1994-97 GA5V-32-688C
- 12 Hose, Pump Suction GA5W-32-688C
- 13 Hose, Reservoir Suction GA2A-32-684B
- 14 Hose, Return GB6H-32-410
- 15 Tube, Return GA2B-32-470F
- 16 Tube Assy, Cooler

ENGINE

4 CYL

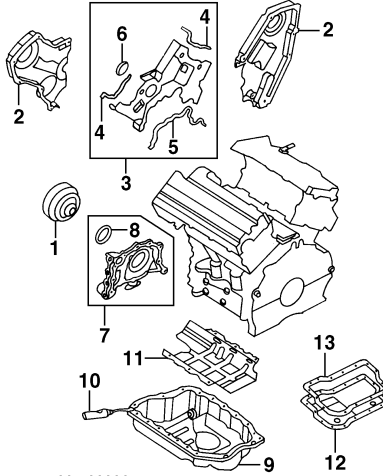


035-02835

- 1 Pulley, Crankshaft
 - 1993-95 FS05-11-401
 - 1996 FSB8-11-401
 - 1997
 - Man Trans FSB9-11-401
 - Auto Trans FSB8-11-401
- 2 Cover, Upper Timing FS01-10-520C
- 3 Cover, Lower Timing FS01-10-500D
- 4 Seal, Timing Cover R/L FS05-10-602A
- 5 Pump Assy, Engine Oil† FS01-14-100N
- †Add'l Parts &/or Dealer Contact Required
- 6 Seal, Oil†
 - NOK Brand FS02-10-602
 - Keeper Brand FS06-10-602
 - †Included w/Engine Oil Pump Assy

- 7 Pan, Upper Eng Oil
 - Man Trans FSY1-10-030
 - Auto Trans 93-96 FS31-10-380G
 - 97 FSY2-10-030
- 8 Pan, Lower Eng Oil F559-10-400A
- 9 Sealant, Eng Oil Pan 8527-77-739

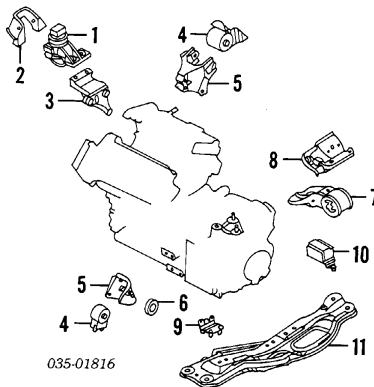
6 CYL



035-02836

- 1 Pulley, Crankshaft
 - 93 KL01-11-210
 - 94-97 KL01-11-400B
 - R KL01-10-500E
 - L KL01-10-510C
- 2 Cover, Timing
 - KL01-10-530F
 - R KL01-10-535
 - L KL01-10-536B
- 3 Plate Assy, Seal
- 4 Gasket, Upper†
 - KL01-10-533B
 - KL01-10-557
- 5 Gasket, Lower†
- 6 Seal, Cover†
 - †Included w/Seal Plate Assy
 - KL01-14-100J
- 7 Pump Assy, Engine Oil
- 8 Seal, Oil†
 - NOK Brand FS02-10-602
 - Keeper Brand FS06-10-602
 - †Included w/Engine Oil Pump Assy
 - KL01-10-400
- 9 Pan, Eng Oil 8527-77-739
- 10 Sealant, Eng Oil Pan K801-10-402B
- 11 Plate, Eng Oil Baffle FU9A-21-51XA
- 12 Pan, Trans Oil BN97-21-512A
- 13 Gasket, Trans Oil Pan

ENGINE/TRANS MOUNTS



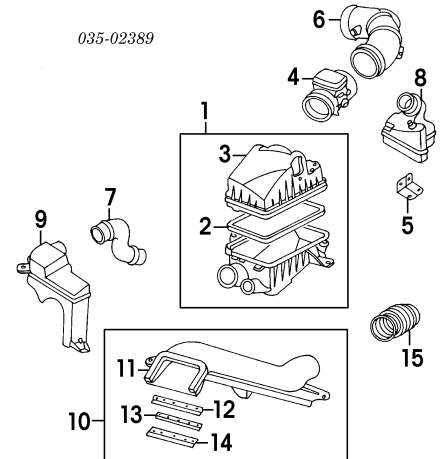
035-01816

- 1 Mount, Eng Front
 - 4 Cyl 93 GA2A-39-060G
 - 94-97 GA2B-39-060B
 - 6 Cyl 93 GA2F-39-060B
 - 94-97 GA2F-39-060B
- Brkt, Front Mount
 - 2 To Body GA2C-53-37XC
 - 3 To Eng
 - 4 Cyl GA2A-39-030E
 - 6 Cyl GA2E-39-030A
- 4 Mount, Eng Side
 - Man Trans
 - 4 Cyl R GA2A-39-040A
 - L GA2A-39-050
 - R GJ4K-39-040
 - L GA2A-39-050
 - 6 Cyl
 - 93 R G14J-39-040
 - L GA2C-39-050
 - 94-97 R KB31-39-040
 - L KB31-39-050
 - Auto Trans
 - 4 Cyl

- 6 Cyl
 - R GA2H-39-040A
 - L GA2G-39-050A
- 5 Brkt, Side Mount
 - Man Trans 93 R GA2A-39-010A
 - L GA2A-39-021B
 - 94-97 R KB30-39-010A
 - L GA2A-39-021B
- Auto Trans
 - 4 Cyl 93 R GA2A-39-010A
 - L GA2A-39-021B
 - 94-97 R KB31-39-010C
 - L KB31-39-021
- 6 Cyl
 - R KB30-39-010A
 - L GA2G-39-021A
 - R GA2C-39-01XA
 - L GA2C-39-02X
- 6 Damper
 - GA2B-39-070
- 7 Mount, Trans
 - Man Trans GA2B-39-070
 - Auto Trans
 - 4 Cyl 93 GE6T-39-070A
 - 94-97 KB31-39-070D
 - GA2G-39-070C
- 6 Cyl
 - GA2A-39-080D
 - GA2C-39-080C
- 8 Brkt, Trans Mount
 - Man Trans GA2A-39-080D
 - Auto Trans GA2C-39-080C
- 9 Mount, Crossmember
 - Man Trans GA2E-39-100A
 - Auto Trans
 - 1993 GA2G-39-100
 - 1994-97
 - 4 Cyl KB31-39-100
 - 6 Cyl GA2G-39-100
- 10 Damper, Crossmember
 - Man Trans GA2A-39-970A
- 11 Crossmember, Eng
 - KB31-39-800

AIR CLEANER

4 CYL



035-02389

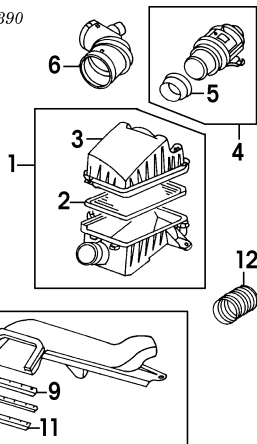
- 1 Cleaner Assy, Air
 - 1993 FS11-13-320B
 - 1994
 - Man Trans FS61-13-320
 - Auto Trans FS56-13-320
 - 1995-97
 - Man Trans FS63-13-320
 - Auto Trans FS55-13-320A
- 2 Element, Cleaner†
- 3 Cover, Air Cleaner†
 - FS11-13-201
 - 1993
 - Man Trans FS61-13-201
 - Auto Trans FS56-13-201
 - †Included w/Air Cleaner Assy
- 4 Meter, Air Flow
 - 1993 FS11-13-215R-00
 - 1994-97
 - Man Trans FS11-13-215R-00
 - Auto Trans FS15-13-215R-00
 - 93-95 FS15-13-215R-00
 - 96-97 FSC2-13-215R-00
 - FS11-13-311
- 5 Brkt, Meter
- 6 Hose, Upper Air
 - 1993 FS11-13-220D
 - 1994-97
 - Man Trans FS11-13-220D
 - Auto Trans FS15-13-220F
- 7 Hose, Lower Air
 - 93-94 FS01-13-207
- 8 Chamber, Resonance
 - Upper 93 FS11-13-195B
 - 94-97 FS56-13-195
 - Lower 93-94 FS11-13-19XC
 - FS11-13-200E
- 9 Duct Assy, Fresh Air
 - 1993-Serviced w/Fresh Air Duct Assy
 - 1994-97 FS11-13-208
- 10 Duct, Fresh Air†
- 11 Duct, Fresh Air†
 - 1993-Serviced w/Fresh Air Duct Assy
 - 1994-97 FS11-13-208
- 12 Plate, Air Duct†
 - Upper 93 FS11-13-192
 - 94-97 FS11-13-192

MAZDA MX6 1993-97

13 Center	FS11-13-203B
14 Lower	93 FS11-13-204 94-97 FS11-13-204
*Included w/Fresh Air Duct Assy	
15 Hose, Air Duct	FS01-13-202B

6 CYL

035-02390



1 Cleaner Assy, Air	KL11-13-320C
2 Element, Cleaner	FS11-13-240
3 Cover, Air Cleaner	KL11-13-201
*Included w/Air Cleaner Assy	
4 Meter Assy, Air Flow	KL02-13-210R-00
5 Grommet, Meter	J501-13-214
*Included w/Air Flow Meter Assy	
6 Hose, Upper Air Duct Assy, Fresh Air	KL11-13-220D KL11-13-200E
7 Duct, Fresh Air	1993-Serviced w/Fresh Air Duct Assy 1994-97 FS11-13-208
8 Plate, Air Duct	93 FS11-13-192 94-97 FS11-13-192
9 Upper	93 FS11-13-192 94-97 FS11-13-204
10 Center	94-97 FS11-13-204
11 Lower	FS11-13-203B
*Included w/Fresh Air Duct Assy	
12 Hose, Air Duct	KL11-13-202B

4 Cyl	Man Trans	FS60-40-500C
	Auto Trans	FS61-40-500C
	6 Cyl	KL90-40-500
Converter, Catalytic		
	1993	
	w/o Calif Emission	FS01-20-600B
	w/Calif Emission	FS49-20-600
	1994	
4 Cyl	Man Trans	FS02-20-600
	w/o Calif Emission	FS01-20-600B
	w/Calif Emission	FS49-20-600
	Auto Trans	
6 Cyl	w/o Calif Emission	KL01-20-600A
	w/Calif Emission	KL50-20-600
	1995	
4 Cyl	w/o Calif Emission	FS49-20-600
	w/Calif Emission	FS01-20-600B
	Auto Trans	
6 Cyl	w/o Calif Emission	KL01-20-600A
	w/Calif Emission	KL50-20-600
	1996	
4 Cyl	w/o Calif Emission	FSC1-20-600
	w/Calif Emission	FSC5-20-600
	Auto Trans	FSC5-20-600
	1997	
4 Cyl	w/o Calif Emission	FSC1-20-600
	w/Calif Emission	FSC5-20-600
	Auto Trans	KL18-20-600B
	6 Cyl	
Pipe, Intermediate		
4 Cyl	Man Trans	FS01-40-300B
	Auto Trans	FS02-40-300B
	6 Cyl	
	1993	KL01-40-300E
	1994-95	
	Man Trans	KL01-40-300E
	Auto Trans	KL29-40-300C
	1996	
	Man Trans	KL56-40-300B
	Auto Trans	KL57-40-300B
	1997	
	Man Trans	KL90-40-300A
	Auto Trans	KL91-40-300
*Add'l Parts &/or Dealer Contact Required		
Insulator, Pipe		
4 Cyl		GA2A-56-421B
6 Cyl		GA2E-56-421D
Muffler, Rear		
4 Cyl		FS01-40-100E
6 Cyl		
	Man Trans	KL01-40-100E
	Auto Trans	KL09-40-100E
	6 Cyl	GA2A-56-411

4 Cyl	9972-41-000
6 Cyl	9979-40-825
Brkt, Adjust	
4 Cyl	
Upper	FS01-18-356
Lower	FS11-18-360
6 Cyl	KL11-18-360A
Belt, Alternator	
4 Cyl	FS12-18-381A
6 Cyl	KL11-18-381B

BATTERY

Battery	0000-80-058R-WB
---------	-----------------

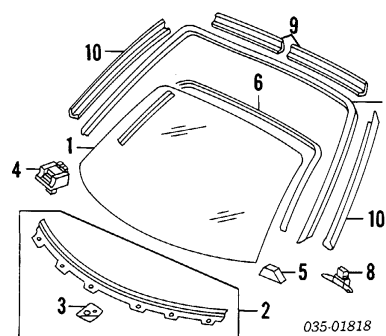
HORN

Horn	
High Note	
1993-94	
To 12-93	GA2A-66-780B
From 12-93	KB42-66-780A
1995-97	GD05-66-780
Low Note	
1993-94	
To 12-93	GA2A-66-790B
From 12-93	KB42-66-790A
1995-97	GD05-66-790

IGNITION

Cap, Distributor	
4 Cyl	
1993	FS01-18-V00-9U
1994	
Man Trans	FS01-18-V00-9U
Auto Trans	FS07-18-V00-9U
1995-97	
Man Trans	FP13-18-V00-9U
Auto Trans	FS07-18-V00-9U
6 Cyl	93 KL01-18-V05A-9U 94 KL01-18-V00A-9U 95-97 KF34-18-V00-9U

WINDSHIELD



1 Glass Assy, Windshield	Mazda	GA2B-63-900B
Base, Rear View Mirror		BW0B-69-240
*Included w/Windshield Glass Assy		
2 Stopper Assy, Glass	93-96	GA2A-50-G30C
3 Tape, Stopper (6)		GA2A-50-G33
*Included w/Glass Stopper Assy		
Spacer, Glass		
4 Type A	R/L	B455-50-891A
5 Type B (3)		
To 1-12-95		8182-63-903
From 1-12-95		GC1V-50-897
6 Dam, Windshield	93	GA2A-50-894
	94-97	GA7B-50-894
7 Moulding Assy, Upper/Side		GA2C-50-6A6
8 Clip, Moulding	R	GA2C-50-6A6
	L	GA2C-50-6A7
*Included w/Upper/Side Moulding Assy		
9 Protector, Midg Upper	R/L	GA2K-50-6B1
10 Protector, Midg Side	R/L	GA2A-50-6B2
Mldg, Inside Garnish		
Black	R	GA2A-68-160D-02
	L	GA2A-68-170D-02
Brown	R	GA2A-68-160D-90
	L	GA2A-68-170D-90
Taupe	R	GA2A-68-160D-78
	L	GA2A-68-170D-78
KA51-69-220		
Mirror, Rear View		
Visor, Sun		
Beige	R	GA2A-69-270G-80
	L	GB7E-69-320D-80
Gray	R	GA2A-69-270G-27
	L	GB7E-69-320D-27

035-01818

EXHAUST

Manifold, Exhaust	
4 Cyl	93-95 FS01-13-450B 96-97 FSC1-13-450B
6 Cyl	
1993	R KL01-13-450B L KL01-13-4F0B
	1994-95
w/o Calif Emission	R KL01-13-450B L KL01-13-4F0B
w/Calif Emission	R KL50-20-55XA L KL50-20-50XA
	1996
	L KL50-20-55X K834-20-55X
	L KL50-20-50XA
	1997
	R KLL8-13-45X L KLL8-13-4F0
Shield, Exhaust Heat	
4 Cyl	93-95 FS01-13-390B 96-97 FSC1-13-390A
6 Cyl	
1993	R KL02-13-390A L KL02-13-390A
	1994-95
w/o Calif Emission	R KL02-13-390A L KL02-13-390A
w/Calif Emission	R KL50-13-390A L KL50-13-3K0A
	1996-97
	R KL50-13-390A L KL50-13-3K0A
Pipe, Front Exhaust	
1993	
4 Cyl	
w/o Calif Emission	FS01-40-500A
w/Calif Emission	FS02-40-500F
6 Cyl	KL01-40-500F
	1994-95
4 Cyl	
Man Trans	
w/o Calif Emission	FS01-40-500A
w/Calif Emission	FS24-40-500A
Auto Trans	FS02-40-500F
6 Cyl	
w/o Calif Emission	KL01-40-500F
w/Calif Emission	KL19-40-500A
	1996
4 Cyl	
Man Trans	FS60-40-500C
Auto Trans	FS61-40-500C
6 Cyl	KL56-40-500B
	1997

EMISSION SYSTEM

Valve, EGR	
4 Cyl	
1993	
w/o Calif Emission	FS05-20-300
w/Calif Emission	FS06-20-300
	1994
w/o Calif Emission	FS06-20-300
Man Trans	FS56-20-300A
Auto Trans	FS56-20-300A
w/Calif Emission	FS56-20-300A
	1995-97
	93-94 KLY1-13-SJ0
	95-97 KL01-20-300C
Modulator, EGR Valve	
4 Cyl	F201-20-350
	FS01-20-35X
Brkt, Modulator	
Solenoid, EGR	KL01-18-740B
*Order by Application	
Canister, Fuel Vapor	
Brkt, Canister	FS11-13-970A
Sensor, Oxygen	FS01-13-960A
4 Cyl	
1993-95	JE50-18-861B-9U
1996-97	
On Manifold	
Man Trans	FSC5-18-861A-9U
Auto Trans	FSC6-18-861A-9U
On Pipe	FSC1-18-861B-9U
6 Cyl	R KLA7-18-861-9U L KLA6-18-861-9U
*Order by Application	

ELECTRICAL

ALTERNATOR

Alternator Assy	
4 Cyl	FS11-18-300R-00
6 Cyl	KL11-18-300R-00
*Remanufactured Part, Contact Dealer for Core Charge & Exchange Information	
Pulley, Alternator	
4 Cyl	FS05-18-W11
6 Cyl	K801-18-W11
*Included w/Alternator Assy	
Brkt, Alt Pivot	
4 Cyl	FS11-18-371
6 Cyl	KL11-18-371B

WIPER SYSTEM

Illustration Located in Next Column

1 Blade Assy, Wiper	R/L	TA02-67-330A-9U
---------------------	-----	-----------------

madpl1_g01_

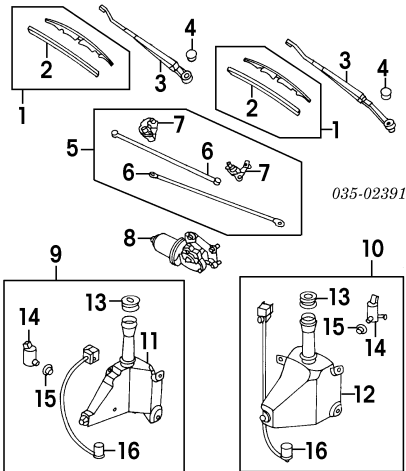
Procedure Explanation Pages Must Be Used with the Above Text for an Accurate Damage Report.
Comments or suggestions? Need assistance? Call 1-800-854-7030 or 858-578-6550. Ext. 8220. Fax 1-888-256-7969 or 858-549-0629.

99

MAZDA MX6 1993-97

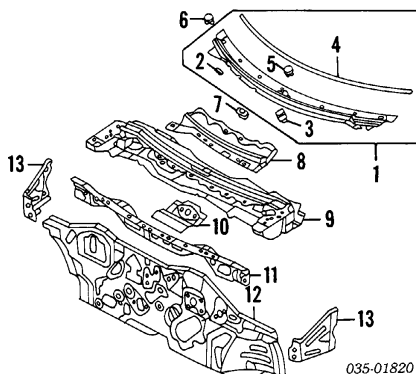
WINDSHIELD Cont'd

WIPER SYSTEM Cont'd



- 2 Insert, Wiper¶ R KA79-67-331A
L DB09-67-333-9U
¶Included w/Wiper Blade Assy
- 3 Arm, Wiper R GA2B-67-321
L GA2A-67-321
- 4 Cover, Wiper Arm R/L LA01-67-395C
- 5 Link Assy, Wiper w/Cold Climate Spec GA2B-67-360
w/o Cold Climate Spec GA2A-67-360
- 6 Arm, Link¶ R GA2A-67-361
L GA2A-67-362
- 7 Shaft, Drive¶ w/Cold Climate Spec R GA2B-67-363
L GA2B-67-364
w/o Cold Climate Spec R GA2A-67-363
L GA2A-67-364
¶Included w/Wiper Link Assy
- 8 Motor, Wiper w/Cold Climate Spec GA2B-67-340C
w/o Cold Climate Spec GA2A-67-340C
- Reservoir Assy, Washer
- 9 2.2 Liter Capacity To 12-94 GA2A-67-480E
From 12-94 GC1M-67-480
- 10 5.5 Liter Capacity (Cold Climate Spec) GA2B-67-480F
- Tank, Washer¶
- 11 2.2 Liter Capacity To 12-94 GA2A-67-481A
From 12-94 GC1M-67-481
- 12 5.5 Liter Capacity (Cold Climate Spec) GA2B-67-481A
GJ21-67-483
- 13 Cap, Tank¶ GA2A-67-482
- 14 Pump, Washer¶ GA2A-67-482
- 15 Grommet, Pump¶ S084-76-677
- 16 Switch, Level¶ GA2A-67-488
¶Included w/Washer Reservoir Assy
- Nozzle, Washer R GA2A-67-510A
L GA2B-67-510A

COWL & DASH

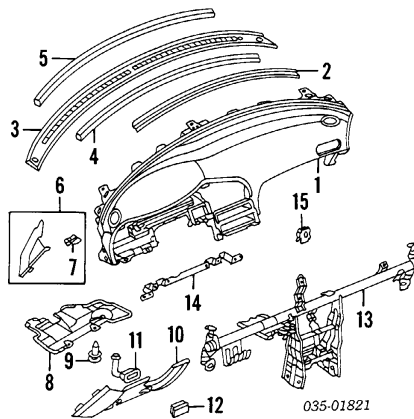


- 1 Grille Assy, Cowl GA2A-50-790E
- 2 Pad, Grille¶ (5) GA2A-50-7E6A
- 3 Grommet¶ (4) 9991-00-411
- 4 Protector, Center Grille¶ GA2A-50-794
- 5 Cap, Grille¶ (5) GA2A-50-797
¶Included w/Cowl Grille Assy
- 6 Cap, Grille GA2A-50-796

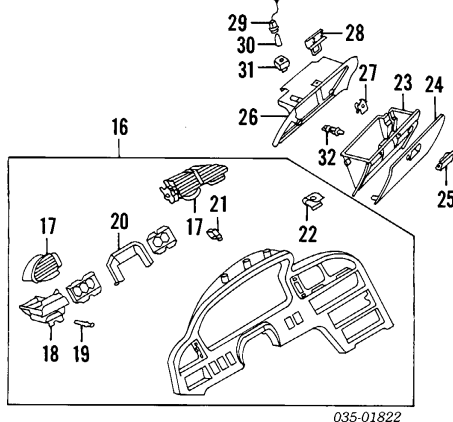
- 7 Screw, Grommet R/L FD02-50-798
- 8 Baffle, Cowl GA2A-56-351B
- 9 Panel, Cowl To 8-1-95 GA2A-53-51XH
From 8-1-95 GA2A-53-513B
- 10 Brkt, Wiper Motor 93 GA2A-70-610E
94 KB30-70-610
- 11 Panel, Cowl Front 95-97 GA2A-70-610E
93-94 GA2A-53-400K
95-97 GA2A-53-400K
- 12 Panel, Dash R GA2A-70-065A
L GA2A-71-065A
- 13 Gusset, Dash Panel

INSTRUMENT PANEL

1993



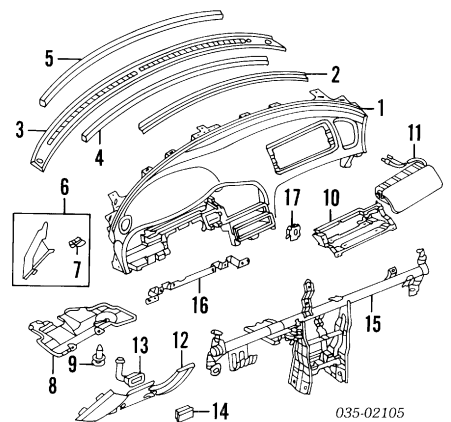
- 1 Panel, Instrument Black GA2A-60-350-02
Taupe GA2A-60-350-78
- 2 Stiffener, Panel GA2A-60-388A
- 3 Garnish, Upper Black GA2A-60-721B-02
Taupe GA2A-60-721B-78
- Felt, Garnish
- 4 Front GA2A-60-726
- 5 Rear GA2A-60-722B
- 6 Side Assy, Instrument Panel Black R GA5R-64-910D-02
L GA5R-64-920D-02
R GA5R-64-910D-78
L GA5R-64-920D-78
- 7 Clip, Panel¶ R/L H260-64-343
¶Included w/Instrument Panel Side Assy
- 8 Cover, Under Dash GA2A-64-520C
- 9 Fastener, Cover GJ21-68-885B-02
- 10 Panel, Lower Dash Black GA2A-64-261A-02
Taupe GA2A-64-261A-78
- 11 Duct, Lap GA2A-64-77XA
- 12 Louver, Lap Duct FB01-64-850
- 13 Brace, Inst Panel GA2A-60-420A
- 14 Bracket, Panel GA2A-60-556
- 15 Nut, Expansion R/L GJ21-64-996



- 16 Panel, Cluster Finish GA2A-55-420S
- 17 Louver, Vent¶ R GA2A-64-71XB
L GA2A-64-81XE
- 18 Pocket, Panel¶ GA2A-64-180D
- 19 Cushion, Lid¶ R/L GA2A-64-046
- 20 Cover, Panel¶ GA2A-55-423A
- 21 Spring, Panel¶ R/L H260-64-343
- 22 Clip, Panel¶ R/L B092-55-257
¶Included w/Cluster Finish Panel
- 23 Box, Glove

- Black GA2A-64-161A-02
Taupe GA2A-64-161A-78
- 24 Door Assy, Glove Box Black GA2A-64-041A-02
Taupe GA2A-64-041A-78
- 25 Knob, Glove Box¶ Black GA2A-64-081-02
Taupe GA2A-64-081-78
¶Included w/Glove Box Door Assy
- 26 Bezel, Glove Box Black GA2A-64-261A-02
Taupe GA2A-64-261A-78
- 27 Nut, Expansion R/L GJ21-64-996
- 28 Striker GA2A-64-10XA
- 29 Socket, Glove Lamp GA5R-64-390
- 30 Bulb, Glove Lamp 9970-16-010
- 31 Lens, Glove Lamp GA5R-64-262
- 32 Switch, Glove Box J002-66-540A
- Radio Assy¶ 0000-81-3431-F5
¶Order by Application
- CD Player 0000-81-6410-03
- Speaker, Radio R/L 0000-81-H02A-02

1994-97

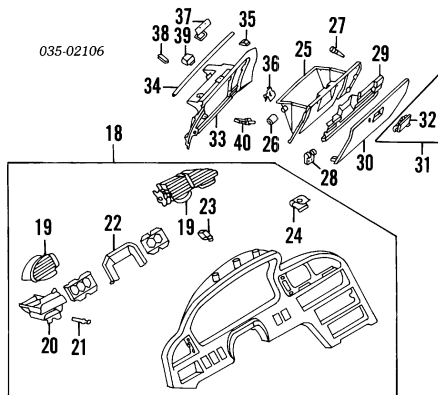


- 1 Panel, Instrument Black GB7E-60-350H-02
Brown GB7E-60-350H-90
- 2 Stiffener, Panel GA2A-60-388A
- 3 Garnish, Upper Black GA2A-60-721B-02
Brown GA2A-60-721B-90
- 4 Felt, Garnish Front GA2A-60-722B
- 5 Felt, Garnish Rear GA2A-60-726
- 6 Side Assy, Instrument Panel Black R GA5R-64-910D-02
L GA5R-64-920D-02
Brown R GA5R-64-910D-90
L GA5R-64-920D-90
- 7 Clip, Panel (a) R/L H260-64-343
(a) Included w/Instrument Panel Side Assy
- 8 Cover, Under Dash GA2A-64-520C
- 9 Fastener, Cover (2) GJ21-68-885B-02
- 10 Case, Air Bag GB7E-60-6A1E
- 11 Module, Air Bag-See Air Bag System Section
- 12 Panel, Lower Dash 1994 GA2A-64-281B-02
Black GA2A-64-281B-90
Brown GC1V-64-281-02
1995-97 GC1V-64-281-90
Black GA2A-64-77XA
Brown FB01-64-850
- 13 Duct, Lap FB01-64-850
- 14 Louver, Duct Lap GA2A-64-77XA
- 15 Brace, Inst Panel 94 GB7E-60-420C
95 GB7E-60-420G
96-97 GD1M-60-420C
- 16 Bracket, Panel GA2A-60-556
- 17 Nut, Expansion (4/Side) R/L GJ21-64-996

Illustration Located in Next Column

- 18 Panel Assy, Cluster Finish 94 GA2A-55-420S
95-97 GC1V-55-420A
- 19 Louver, Vent¶ 94 R GA2A-64-71XB
L GA2A-64-81XE
95-97 R GC1V-64-71X
L GA2A-64-81XE
- 20 Pocket, Panel¶ GA2A-64-180D
- 21 Cushion, Lid¶ GA2A-64-046
- 22 Cover, Panel¶ GA2A-55-423A
- 23 Spring, Panel¶ H260-64-343
- 24 Clip, Panel¶ B092-55-257
¶Included w/Cluster Finish Panel Assy
- 25 Box, Glove GB7E-64-161B
- 26 Stopper, Glove Box G113-64-073A
- 27 Cushion, Rubber B092-64-046
- 28 Hinge, Glove Box R GA5R-64-071A
L GA5R-64-072A

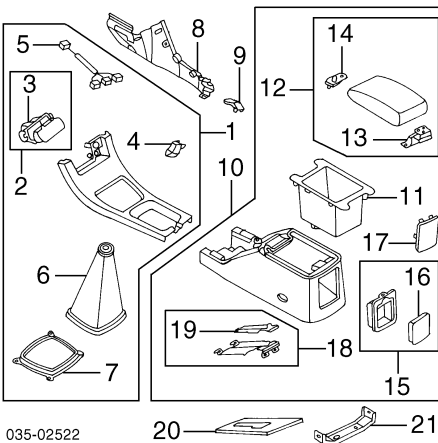
MAZDA MX6 1993-97



- 29 Reinf, Glove Box GB7E-64-060A
 - 30 Door, Glove Box
 - Black GB7E-64-041C-02
 - Brown GB7E-64-041C-90
 - 31 Lock Assy, Glove Box
 - Black GA2A-64-090A-02
 - Brown GB7E-64-090A-90
 - 32 Knob, Glove Box¶
 - Black GA2A-64-081-02
 - Brown GA2A-64-081-90

¶Included w/Glove Box Lock Assy
 - 33 Bezel, Glove Box
 - Black GB7E-64-261C-02
 - Brown GB7E-64-261C-90
 - 34 Felt, Bezel GA2A-64-263
 - 35 Spring, Bezel R/L H260-64-343
 - 36 Nut, Expansion R/L GJ21-64-996
 - 37 Striker GB7E-64-10X
 - 38 Bulb B456-60-223
 - 39 Case, Lamp GB7E-64-262
 - 40 Switch, Glove Box J002-66-540A
 - Radio Assy¶ 0000-81-3431-F5
 - Player, CD¶ 0000-81-6410-03
- ¶Order by Application
- Speaker, Radio R/L 0000-81-1310

CENTER CONSOLE



- 1 Console Assy, Front
 - Man Trans 93 GA2A-64-320D
 - 94-97 GB7E-64-320A
 - Auto Trans 93 GA2A-64-320D
 - 94-97 GB7F-64-320
- 2 Ashtray Assy¶ GA2A-64-610C
- 3 Lid, Ashtray¶ (a) GA2A-64-630B-02
- (a) Included w/Ashtray Assy
- 4 Box, Lamp¶ GA2A-64-216
- 5 Wire, Lamp¶ GA2K-67-SH0
- 6 Boot, Shift¶ (b) GA2A-64-331B
- 7 Retainer, Boot¶ (b) GA2A-64-334A
- ¶Included w/Front Console Assy
- ¶(b) Included w/Man Trans Front Console Assy
- 8 Panel, Side
 - Black R GA2A-64-231-02
 - L GA2A-64-241-02
 - Brown R GA2A-64-231-90
 - L GA2A-64-241-90
 - Taupe R GA2A-64-231-78
 - L GA2A-64-241-78
- 9 Fastener, Side Panel R/L B467-68-AC3-02
- 10 Cover, Hole GA2A-64-329
- 11 Console Assy, Rear
 - Black 93-96 GA2A-64-420C-02
 - 97 GD1M-64-420B-02
 - 93-96 GA2A-64-420C-90

- 97 GD1M-64-420A-90
- GA2A-64-420C-78
- Taupe
- 11 Box, Console¶
 - 02 Black; 78 Taupe; 90 Brown
 - Black GA2A-64-441-02
 - Brown GA2A-64-441-90
- 12 Lid Assy, Console¶
 - Black GA2A-64-450B-02
 - Brown GA2A-64-450B-90
 - Taupe GA2A-64-450-78
 - 02 Black; 78 Taupe; 90 Brown
- 13 Hinge, Lid¶ (a) GA2A-64-46Y
- 14 Latch, Lid¶ (a) GA2A-64-46X
- (a) Included w/Console Lid Assy
- 15 Ashtray Assy¶
 - 1993-95
 - Black GA2A-64-660-02
 - Brown GA2A-64-660-90
 - Taupe GA2A-64-660-78
- 16 Lid, Ashtray¶ (a)
 - Black GA2A-64-680-02
 - Brown GA2A-64-680-90
 - Taupe GA2A-64-680-78

(a) Included w/Ashtray Assy
- 17 Cover, Rear Console¶
 - 1996-97
 - Black GC5D-64-626-02
 - Brown GC5D-64-626A-90
- 18 Plate Assy, Upper¶
 - 1993-96
 - Black GA2A-64-430-02
 - Brown GA2A-64-430-90
 - Taupe GA2A-64-430-78
 - 1997 GA2A-64-430A
- 19 Plate, Inner¶ (a)
 - 1993-96
 - Black GA2A-64-432A
 - Brown GA2A-64-430A
 - Taupe GA2A-64-430A
 - 1997 GA2A-64-432A

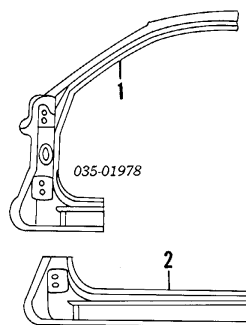
02 Black; 78 Taupe; 90 Brown

¶Included w/Rear Console Assy

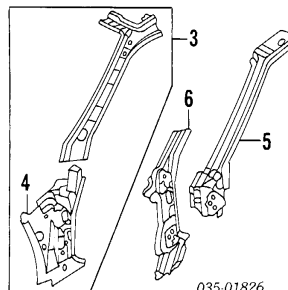
(a) Included w/Upper Plate Assy
- 20 Mat, Rear Console GA2A-64-429B
- 21 Brkt, Rear Console GA2A-64-416B

ROCKER/PILLARS/FLOOR

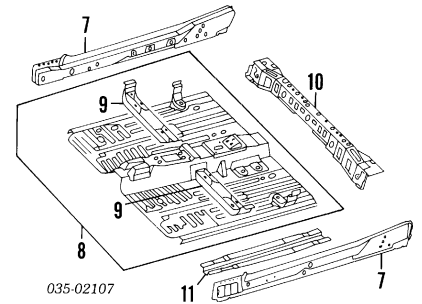
SHEET METAL



- 1 Pillar, Front Outer R GAYA-70-221
- L GAYA-71-221
- 2 Panel, Outer Rocker R GAYA-70-271
- L GAYA-71-271

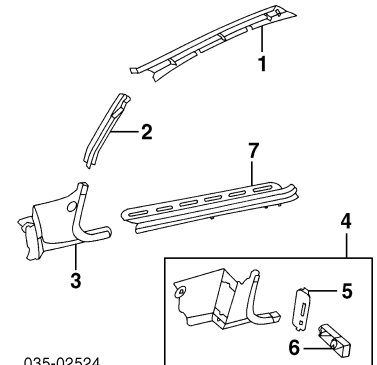


- 3 Pillar Assy, Inner Hinge R GA2A-70-04X
- L GA2A-71-04X
- 4 Pillar, Lower Hinge¶ R GA2A-70-23YE
- L GA2A-71-23YD
- ¶Included w/Inner Hinge Pillar Assy
- 5 Reinf, Upper Pillar R GA2A-70-242A
- L GA2A-71-242A
- 6 Reinf, Lower Pillar R GA2A-70-030B
- L GA2A-71-030B



- 7 Panel, Inr Rocker 93-94 R GA2K-53-950B
- L GA2K-54-950B
- 95-97 R GA2K-53-950B
- L GA2K-54-950B
- 8 Pan Assy, Front Floor Crossmember, Front Floor GAYA-53-60YA
- 9 Front¶ 93 R GA2K-53-950B
- L GA2K-54-950B
- 94-97 R GA2A-53-650C
- L GA2K-54-950B
- ¶Included w/Front Floor Pan Assy
- 10 Rear GA2A-53-911C
- 11 Extension, Floor R GA2A-53-660A
- L GA2A-54-660A

INTERIOR TRIM



- 1 Mldg, Inside Garnish-See Windshield Section
- 2 Garnish, Front Side
 - Black R GA2A-68-36X-02
 - L GA2A-68-36Y-02
 - Brown R GA2A-68-36X-90
 - L GA2A-68-36Y-90
 - Taupe R GA2A-68-36X-78
 - L GA2A-68-36Y-78
- 3 Panel, Right Cowl Trim
 - Black GA2A-68-370D-02
 - Brown GA2A-68-370D-90
 - Taupe GA2A-68-370D-78
- 4 Panel Assy, Left Cowl Trim
 - Black GA2A-68-390B-02
 - Brown GA2A-68-390B-90
 - Taupe GA2A-68-390B-78
- 5 Cover, Trim Panel¶
 - Black GA2A-68-381B-02
 - Brown GA2A-68-381B-90
 - Taupe GA2A-68-381B-78
- 6 Holder, Fuse¶ H001-66-739
- ¶Included w/Left Cowl Trim Panel Assy
- 7 Plate, Front Scuff
 - Black R GA2A-68-710B-02
 - L GA2A-68-720B-02
 - Brown R GA2A-68-710B-90
 - L GA2A-68-720B-90
 - Taupe R GA2A-68-710B-78
 - L GA2A-68-720B-78

FRONT SEAT

W/LEATHER SEATS

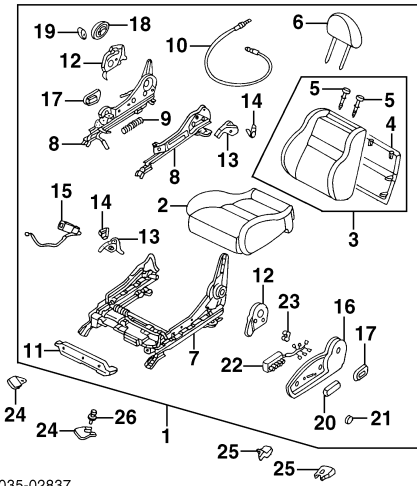
Illustration Located in Next Column

- 1 Seat Assy¶ 93 R GA2G-57-100F-02
- L GA2G-57-150G-02
- 94-97 R GB7G-57-100K-02
- L GB7G-57-150M-02
- 2 Cushion, Seat¶ (a) 93 R GA2G-88-110-02
- L GA2G-88-160-02
- 94-97 R GB7G-88-110E-02
- L GB7G-88-160E-02

MAZDA MX6 1993-97

FRONT SEAT Cont'd

W/LEATHER SEATS Cont'd



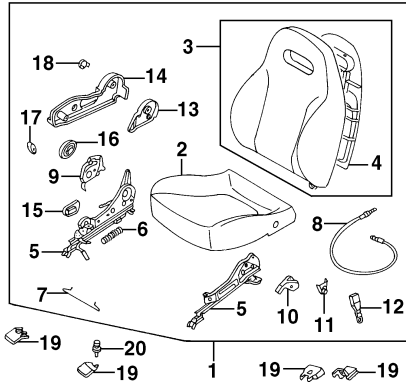
035-02837

- 3 Back Assy, Seat (a) R GA2G-88-130-02
L GA2G-88-180-02
- 4 Board, Seat Back (a) (b) R GA2G-88-AL0B-02
L GA2G-88-AM0-02
- 5 Guide, Headrest Pole (a) (b)
Right G211-88-138-02
Left G211-88-137-02
(b) Included w/Seat Back Assy
- 6 Headrest (a) R GA2G-88-140C-02
L GA2G-88-190-02
*Black listed, Order by Application
02 Black; 77 Taupe; 80 Beige, Light Beige
- Track, Seat (a)
7 Driver Side GA2G-88-AF0
8 Passenger Side GA2A-88-A00
- 9 Spring, Return (a) R/L GA2A-88-052
- 10 Cable, Wire (a) R/L GA2A-88-635
- 11 Cover, Seat Front (a) R/L GA2G-88-1H2
- 12 Brkt, Outer Cover (a)
Driver Side GA2A-88-1K1
Passenger Side G2AA-88-109
- 13 Cover, Inner Track (a)
Driver Side GA2A-88-1H1-02
Passenger Side GA2A-88-1G3A-02
*Black listed, Order by Application
02 Black; 78 Taupe; 80 Light Beige
- 14 Cover, Inner Hinge (a) R/L GA2A-88-1J2
- 15 Buckle, Seat Belt (a) - See Seat Belts Section
- 16 Cover, Outer Hinge (a)
Driver Side GA2G-88-1H3-02
Passenger Side GA2A-88-1G1-02
- 17 Knob, Knuckle (a)
Driver Side GA2A-88-1G5-02
Passenger Side GA2A-88-1H5-02
- 18 Bezel, Seat Back (a) R/L GA2A-88-1L9-02
- 19 Knob, Adjuster (a) R/L GA2A-88-1L8A-02
- 20 Knob, Slide (a) R/L GA2G-88-167A-02
- 21 Cover, Hole (a) R/L GA2A-88-1N2-02
*Black listed, Order by Application
02 Black; 78 Taupe; 80 Light Beige
- 22 Switch, Pwr Seat (a) GA2G-57-155C
- 23 Clip, Switch (a) (4) G223-88-688
(a) Included w/Seat Assy
- Cover, Track (a)
24 Front R GA2A-57-041-02
L GA2A-57-042-02
R GA2A-57-051A-02
L GA2A-57-052-02
*Black listed, Order by Application
02 Black; 78 Taupe; 80 Light Beige
- 25 Rear R GA2A-57-041-02
L GA2A-57-042-02
R GA2A-57-051A-02
L GA2A-57-052-02
*Black listed, Order by Application
02 Black; 78 Taupe; 80 Light Beige
- 26 Fastener R/L B040-68-865A-00

W/O LEATHER SEATS

Illustration Located in Next Column

- 1 Seat Assy (a) R GA2E-57-100H-02
L GA2E-57-150H-02
- 2 Cushion, Seat (a) R GA2E-88-110-02
L GA2E-88-160-02
- 3 Back Assy, Seat (a) R GA2E-88-130-02
L GA2E-88-180-02
- 4 Board, Seat Back (a) (b) R/L GA2A-88-AL0-02
*Black listed, Order by Application
02 Black; 78 Taupe; 80 Beige
(b) Included w/Seat Back Assy
- 5 Track, Seat (a)
Driver Side GA2A-88-A50A

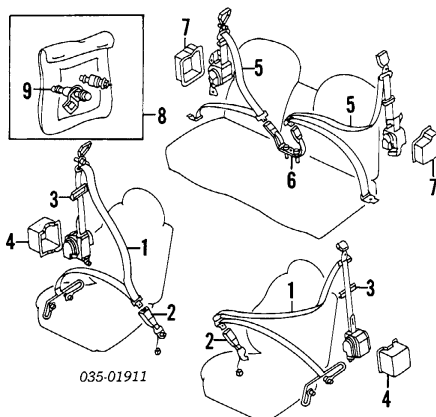


035-02838

- Passenger Side 93 GA2A-88-A00
94-97 GB7E-88-A00A
- 6 Spring, Return (a) R/L GA2A-88-052
- 7 Wire, Release (a) R/L GA2A-88-106
- 8 Cable, Wire (a) R/L GA2A-88-051
- 9 Brkt, Outer Cover (a)
Driver Side GA2A-88-1K1
Passenger Side GA2A-88-109
- 10 Cover, Inner Track (a)
Driver Side GA2A-88-1H1-02
Passenger Side GA2A-88-1G3A-02
*Black listed, Order by Application
02 Black; 78 Taupe; 80 Light Beige
- 11 Cover, Inner Hinge (a) R/L GA2A-88-1J2
- 12 Buckle, Seat Belt (a) - See Seat Belts Section
- 13 Protector, Hinge (a) R/L GA2A-88-1J1
- 14 Cover, Outer Hinge (a)
Driver Side GA2A-88-1H3-02
Passenger Side GA2A-88-1G1-02
- 15 Knob, Knuckle (a)
Driver Side GA2A-88-1G5-02
Passenger Side GA2A-88-1H5-02
- 16 Bezel, Seat Back (a) R/L GA2A-88-1L9-02
- 17 Knob, Adjuster (a) R/L GA2A-88-1L8A-02
- 18 Cover, Hole (a) R/L GA2A-88-1N1-02
(a) Included w/Seat Assy
- 19 Cover, Track (a)
Front R GA2A-57-041-02
L GA2A-57-042-02
Rear R GA2A-57-051A-02
L GA2A-57-052-02
*Black listed, Order by Application
02 Black; 78 Taupe; 90 Brown
- 20 Fastener (4/Side) R/L B040-68-865A-00

REAR SEAT

SEAT BELTS



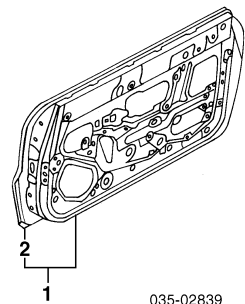
035-01911

- 1 Belt, Front Seat (a)
Retractor Side 93-95 R GA2A-57-630B-00
L GA2A-57-690B-00
96-97 R GD1M-57-630E-00
L GD1M-57-690-00
- 2 Buckle Side
To 1-3-95 R GA2A-57-620B-02
L GA2A-57-680B-02
From 1-3-95 R GB8A-57-620-29
L GB8A-57-680-29
*Order by Application
02 Black; 29 Gray; 78 Taupe; 80 Light Beige
- 3 Plate, Belt Set R/L GA2A-57-985
- 4 Cover, Retractor R GA2A-57-988C

- L GA2A-57-989C
- Belt, Rear Seat (a)
5 Retractor Side 93 R GA2A-57-730B-00
L GA2A-57-790B-00
94-95 R GB7E-57-730-00
L GB7E-57-790-00
96-97 R GD1M-57-730C-00
L GD1M-57-790C-00
GA2A-57-720A-00
- 6 Buckle Side
*Black listed, Order by Application
00 Black; 78 Taupe; 80 Light Beige
- 7 Cover, Retractor R GA2B-57-988A
L GA2B-57-989A
- 8 Anchor Assy, Child Seat GA2A-57-77XA
- 9 Anchor (a) R GA2A-57-77Y
L GA2A-57-77Z
*Included w/Child Seat Anchor Assy

FRONT DOOR

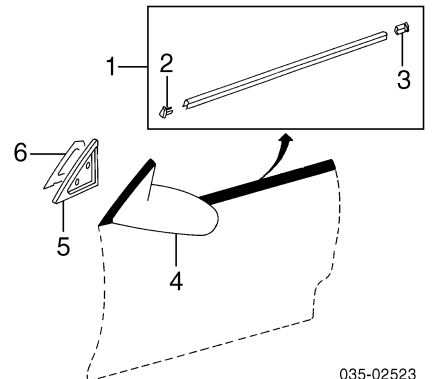
SHEET METAL



035-02839

- 1 Shell Assy, Door R GAYA-58-020
L GAYA-59-020
- 2 Panel, Door Repair (a) R GA2A-58-031A
L GA2A-59-031A
*Included w/Door Shell Assy

EXTERIOR TRIM



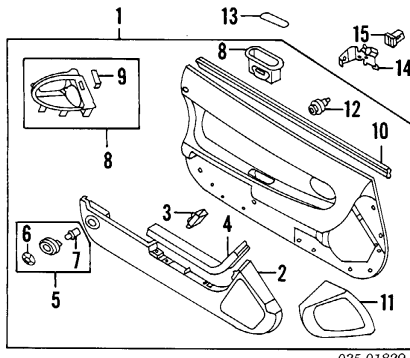
035-02523

- Moulding, Side
Body Color Black R GD1P-50-682-00
L GD1P-50-692-00
- Burgundy R GD1P-50-682-00
L GD1P-50-692-00
- White R GD1P-50-682-00
L GD1P-50-692-00
- Paint to Match R GD1P-50-682-00
L GD1P-50-692-00
- 1 Moulding Assy, Belt 93-96 R GA2A-50-640C
L GA2A-50-650C
97 R GD4T-50-640B
L GD4T-50-650B
- Protector, Belt Mldg (a)
2 Front R GA2A-50-644A
L GA2A-50-654A
- 3 Rear R GA2A-50-645A
L GA2A-50-655A
*Included w/Belt Moulding Assy
- 4 Mirror, Rear View (a)
Heated R GA2C-69-120E-UK
L GA2C-69-180E-UK
- Non-Heated R GA2A-69-120F-UK
L GA2A-69-180F-00
(a) Performance White listed, Order by Application
G1 Sahara Gold Metallic; G2 Nassau Blue Metallic;
J3 Platinum; J4 Passion Rose; NN Ebony;
NU Vintage Red; NX Laser Red; PE Vivid Yellow;
PZ Brilliant Black; UA Cameo White; UK Performance
White; 21 Sandalwood; 24 Timberline Metallic;
36 Dark Lobelia; 4Y Caribbean Blue; 48 Medium Poppy;

MAZDA MX6 1993-97

5S Neat Green		
5 Brkt, Corner	93-96 R	GA2A-58-621D
	L	GA2A-59-621D
	97 R	GD4T-58-62XB
	L	GD4T-59-62XB
6 Garnish, Mirror	93-96 R	GA2A-69-111C
	L	GA2A-69-171C
	97 R	GD4T-69-111
	L	GD4T-69-171

INTERIOR TRIM 1993-96



035-01829

1 Panel Assy, Door Trim		
Cloth		
Black	93 R	GA2A-68-420P-02
	L	GA2A-68-450R-02
	94-95 R	GB7G-68-420-02
	L	GB7G-68-46Y-02
	96 R	GD1M-68-43Y-02
	L	GD1M-68-46Y-02
Beige	94-95 R	GB7G-68-43Y-90
	L	GB7G-68-46Y-90
	96 R	GD1M-68-43Y-90
	L	GD1M-68-46Y-90
Taupe	R	GA2A-68-420R-78
	L	GA2A-68-450R-78
Vinyl		
Black	R	GA2F-68-43Y-02
	L	GA2F-68-46Y-02
Beige	R/L	GA2F-68-46Y-90
Taupe	R	GA2F-68-420R-78
	L	GA2F-68-450R-78

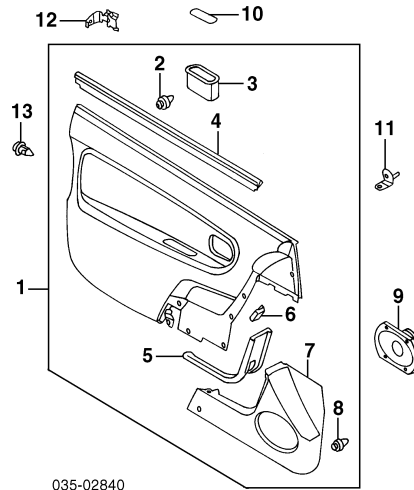
Order by Application

2 Pocket, Door Trim (a)		
Right-Serviced w/Right Side Door Trim Panel Assy		
Left		
Black		GA2A-68-4NOC-02
Brown		GA2A-68-4NOC-90
Taupe		GA2A-68-4NOC-78
3 Switch, Pwr Window (a)		
4 Panel, Switch (a)		
5 Lamp Assy, Courtesy (a)		
Black	R/L	GA2C-68-4G0-02
Brown	R/L	GA2C-68-4G0-90
Taupe	R/L	GA2C-68-4G0-78
6 Lens (a) (b)		
7 Bulb (a) (b)		
	R/L	0000-11-0194
(b) Included w/Courtesy Lamp Assy		
8 Handle Assy, Pull (a)		
Black	R	GA2A-68-D60C-02
	L	GA2A-68-D81D-02
Brown	R	GA2A-68-D60C-90
	L	GA2A-68-D81D-90
Taupe	R	GA2A-68-D60C-78
	L	GA2A-68-D81D-78
9 Cap, Handle Trim (a) (b)		
Right Only		
Black		GA2A-68-D63A-02
Brown		GA2A-68-D63A-90
Taupe		GA2A-68-D63A-78
(b) Included w/Pull Handle Assy		
10 W/Strip, Inner (a)		
	R	GA2A-58-821C
	L	GA2A-59-821C
11 Grille, Speaker (a)		
Right		
Black		GA2A-68-4H0B-02
Brown		GA2A-68-4H0B-90
Taupe		GA2A-68-4H0B-78
Left-Serviced w/Left Door Trim Pocket		
12 Clip, Trim Panel (a)		
(a) Included w/Door Trim Panel Assy		
13 Cover, Recess		
	L	GA2A-68-424C
14 Brkt, Trim Panel		
	R/L	GA2A-68-403C
15 Grommet, Bracket Speaker, Radio		
	R/L	H380-68-402
	R	GA2A-66-96X
	L	GA2B-66-96X

INTERIOR TRIM 1997

Illustration Located in Next Column

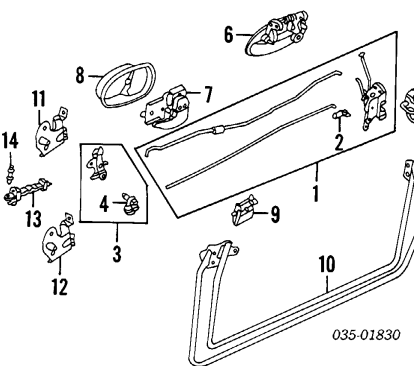
1 Panel Assy, Trim



035-02840

Base Model		
Black	R	GD4T-68-43YF-02
	L	GD4T-68-46YF-02
Beige/Brown	R	GD4T-68-43YF-90
	L	GD4T-68-46YF-90
LS Model w/Leather Pkg		
Black	R	GD4W-68-43YF-02
	L	GD4W-68-46YF-02
Beige/Brown	R	GD4W-68-43YF-90
	L	GD4W-68-46YF-90
w/o Leather Pkg		
Black	R	GD4V-68-43YF-02
	L	GD4V-68-46YF-02
Beige/Brown	R	GD4V-68-43YF-90
	L	GD4V-68-46YF-90
2 Clip, Trim Panel (3/Side)		
3 Handle, Pull		
Black	R	GD4T-68-D60B-02
	L	GD4T-68-D71A-02
Brown	R	GD4T-68-D60B-90
	L	GD4T-68-D71A-90
4 W/Strip, Inner		
5 Panel, Switch		
6 Switch, Power Window		
	R/L	GA2A-66-370A
	L	GA2A-66-350
7 Pocket, Trim		
Black	R/L	GD4T-68-4C0A-02
Brown	R/L	GD4T-68-4N0B-90
8 Clip, Pocket (2/Side)		
(a) Included w/Trim Panel Assy		
9 Speaker, Door		
	R	GA2A-66-96X
	L	GA2B-66-96X
10 Cover, Pull Handle		
	L	GA2A-68-424C
11 Bracket, Pull Handle		
	L	GJ21-68-525A
12 Bracket, Trim Panel		
	R/L	GA2A-68-403C
13 Clip, Bracket		
Black	R/L	GJ21-68-885B-02
Beige	R/L	GJ21-68-885B-43

HARDWARE

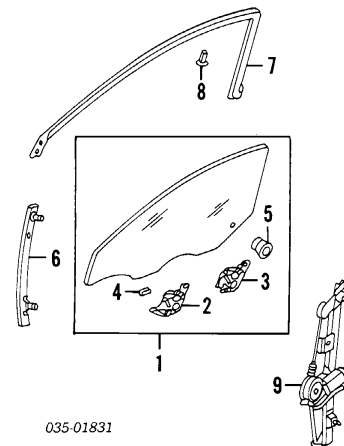


035-01830

1 Latch Assy, Door w/Theft Deterrent		
93-94 R		GA2B-58-310D
	L	GA2A-59-310D
95-96 R		GC1W-58-310B
	L	GC1W-59-310B
	97 R	GD4T-58-310
	L	GD4W-59-310
w/o Theft Deterrent		
93-94 R		GA2A-58-310F
	L	GA2A-59-310D
95-96 R		GC1V-58-310B
	L	GC1V-59-310A
	97 R	GD4T-58-310
	L	GD4T-59-310

2 Clip, Link		
	R	G030-58-315
	L	G030-59-315
(a) Included w/Door Latch Assy		
3 Lever Assy, Lock		
	R	GA5R-58-380A
	L	GA5R-59-380A
4 Clip, Lever		
	R	G030-58-315
	L	G030-59-315
(a) Included w/Lock Lever Assy		
5 Striker		
	93 R/L	B092-58-361A
	94-96 R/L	H260-58-361A
	97 R/L	GA5R-58-361B
6 Handle, Outside		
	R	GA2A-58-410F-UK
	L	GA2A-59-410G-UK
(a) Black listed, Order by Application		
B1 Valencia Pearl Coat; G1 Sahara Gold Metallic;		
G2 Nassau Blue Metallic; NN Ebony; NU Vintage Red;		
NX Laser Red Tinted; PE Vivid Yellow; UA Cameo White;		
UC Crystal White; UK Performance White; 13 Passion Rose;		
15 Vintage Red; 21 Sandalwood; 24 Timberline Metallic;		
36 Dark Lobelia; 46 Neat Green Metallic;		
48 Medium Poppy; 4Y Caribbean Blue; 67 Platinum		
Cyl & Key		
w/Theft Deterrent		
	93-95 R	GA2A-76-210F
	L	GA2A-76-220F
	96-97 R	GA2B-76-210F
	L	GA2B-76-220F
w/o Theft Deterrent		
	R	GA2B-76-210F
	L	GA2B-76-220F
(a) Included w/Lock Cylinder Set-listed in Steering Wheel/Column Section		
7 Handle, Inside		
Black	R	GA5R-58-330E-02
	L	GA5R-59-330F-02
Brown	R	GA5R-58-330F-90
	L	GA5R-59-330F-90
Taupe	R	GA5R-58-330E-78
	L	GA5R-59-330E-78
8 Bezel, Inner Handle		
Black	R	EA01-58-303-02
	L	EA01-59-303-02
Brown	R	EA01-58-303-90
	L	EA01-59-303-90
Taupe	R	EA01-58-303-78
	L	EA01-59-303-78
02 Black; 78 Taupe; 90 Brown		
9 Valve, Air Pressure (3/Side)		
	R/L	GA2A-58-867A
10 Weatherstrip, Door		
	93-96 R	GD4T-58-760
	L	GD4T-59-760
	97 R/L	GD4T-58-760
11 Hinge, Upper		
	R	GA2B-58-210A
	L	GA2B-59-210A
12 Hinge, Lower		
	R	GA2B-58-240A
	L	GA2B-59-240A
13 Check, Door		
	R/L	GA2A-58-270B
14 Pin, Door Check		
	R/L	H260-58-265C

GLASS & PARTS



035-01831

1 Glass Assy, Front Door		
Mazda		
	93-96 R	GA2A-58-510D
	L	GA2A-59-510D
	97 R	GD4T-58-510D
	L	GD4T-59-510D
2 Brkt, Center		
	1993-96	R GA2A-58-530A
		L GA2A-59-530A
1997-Serviced w/Front Door Glass Assy		
3 Brkt, Rear		
	1993-96	R GA2A-58-520C
		L GA2A-59-520C
1997-Serviced w/Front Door Glass Assy		
4 Strip, Rubber (2/Side)		
	1993-96	R/L GA2A-58-502A
1997-Serviced w/Front Door Glass Assy		
5 Stopper, Glass		
	R/L	H001-58-546
(a) Included w/Front Door Glass Assy		
6 Guide, Glass		
	93-96 R	GA2A-58-602
	L	GA2A-59-602
	97 R	GD4T-58-6A1A
	L	GD4T-59-6A1A
7 Weatherstrip Assy, Glass		
	R	GA2A-58-770N
	L	GA2A-59-770N

MAZDA MX6 1993-97

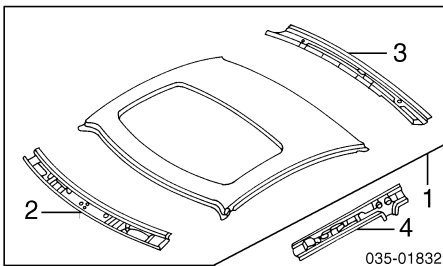
FRONT DOOR Cont'd

GLASS & PARTS Cont'd

- 8 Clip, W/Strip (7/Side) R/L H272-58-772
†Included w/Glass Weatherstrip Assy
- 9 Regulator, Power 93-96 R GA2B-58-560K
 L GA2B-59-560K
 97 R GD4T-58-560C
 L GD4T-59-560C
 Motor, Regulator-Serviced w/Power Regulator

ROOF

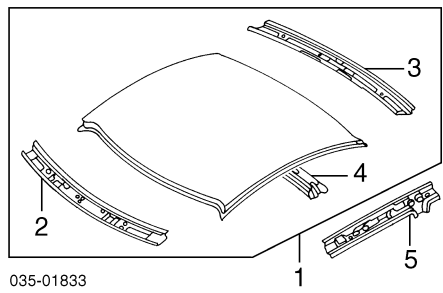
SHEET METAL W/SUNROOF



035-01832

- 1 Panel Assy, Roof GA2B-70-600B
 - 2 Panel, Front Header† GA2A-70-64X
 - 3 Panel, Rear Header† GA2A-70-700
†Included w/Roof Panel Assy
 - 4 Rail, Roof Inner R GA2A-70-050
 L GA2A-71-050
- Headliner
 Beige GA2B-68-030F-80
 Gray GA2B-68-030F-27
 Taupe GA2B-68-030F-83

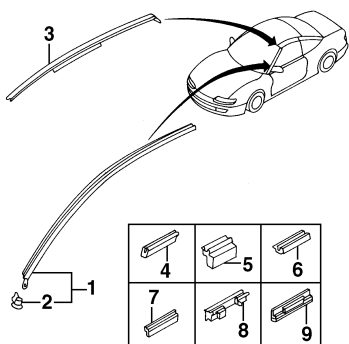
SHEET METAL W/O SUNROOF



035-01833

- 1 Panel Assy, Roof GA2A-70-600A
 - 2 Panel, Front Header† GA2A-70-64X
 - 3 Panel, Rear Header† GA2A-70-701
 - 4 Bow, Center Reinf† GA2A-70-661
†Included w/Roof Panel Assy
 - 5 Rail, Roof Inner R GA2A-70-050
 L GA2A-71-050
- Headliner
 Beige GA2A-68-030E-80
 Gray GA2A-68-030E-27
 Taupe GA2A-68-030E-83

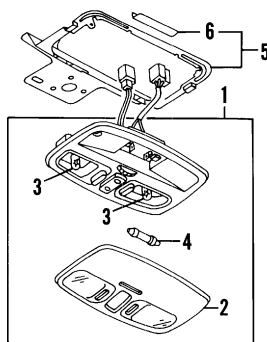
EXTERIOR TRIM



035-02841

- 1 Moulding Assy, Drip Rail R GA2A-50-510A
 L GA2A-50-530A
 - 2 Protector, Drip Mldg† R GA2A-50-516
 L GA2A-50-536
†Included w/Drip Rail Moulding Assy
 - 3 Moulding Assy, Roof (a) 93-94 R GA2A-50-9H0D-PZ
 L GA2A-50-9L0D-PZ
 95-97 R GC1V-50-9H0-NN
 L GC1V-50-9L0-PZ
 B1 Valencia Pearl Coat;
 G1 Sahara Gold Metallic; G2 Nassau Blue Metallic;
 HS Signus White; J3 Platinum; J4 Passion Rose;
 NN Ebony; NU Vintage Red; NX Laser Red Tinted;
 PE Vivid Yellow; PZ Brilliant Black; UA Cameo White;
 UK Performance White; SQ Blaze Red; 21 Sandalwood;
 24 Timberline Metallic; 36 Dark Lobelia;
 46 Neat Green Metallic
- Retainer, Roof Mldg (a)
 4 Type A R/L GA2A-50-9H5A
 5 Type B R GA2A-50-9H6
 L GA2A-50-9H9
 6 Type C R/L GA2A-50-9L5
 7 Type D R GA2A-50-9H1
 L GA2A-50-9L1
 8 Type E R/L E016-50-9H3
†Included w/Roof Moulding Assy
 (a) Order by Application
- 9 Clip, Roof Mldg R/L E016-50-629B

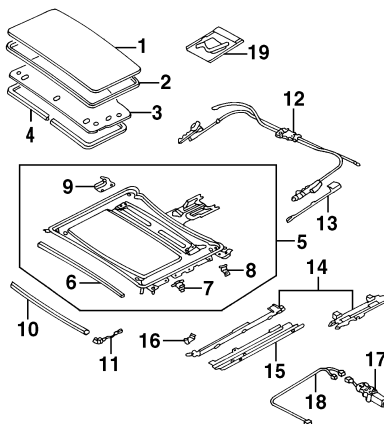
OVERHEAD CONSOLE



035-02110

- 1 Console Assy, Overhead w/Sunroof
 Beige GA2B-69-97XC-80
 Gray GA2B-69-97XC-27
 w/o Sunroof
 Beige GA2E-69-97XA-80
 Gray GA2E-69-97XA-27
- 2 Lens (a) GA2B-69-877A
 w/Sunroof GA2E-69-877A
 w/o Sunroof 0000-11-0194
- 3 Bulb, Front (a) (2) 9970-05-080L
- 4 Bulb, Rear (a) (a) Included w/Overhead Console Assy
- 5 Bracket Assy, Console w/Sunroof GA2B-69-98XC
 w/o Sunroof GA2A-69-98XC
- 6 Stopper, Bracket† w/Sunroof GA2B-69-98XC
†Included w/Console Bracket Assy

SUNROOF

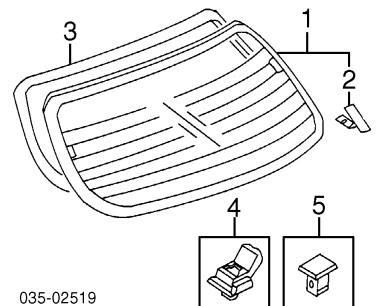


035-02842

- 1 Panel, Sunroof GA2B-69-810
- 2 W/Strip, Sunroof GA2B-69-825A
- 3 Trim, Sunroof Beige GA2B-69-960B-80
 Gray GA2B-69-960-27

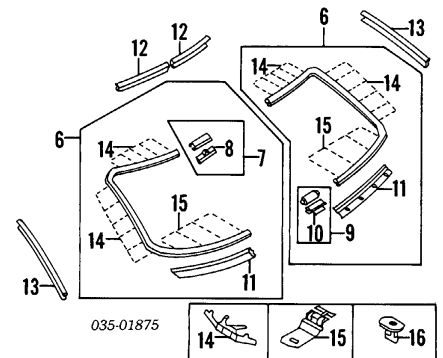
- 4 Welt, Seaming Beige GA2B-69-981A-80
 Gray GA2B-69-981A-27
- 5 Frame Assy, Sunroof GA2D-69-840
- 6 Tape, Seal† GA2B-69-845
- 7 Brkt, Sunroof†
- 8 Front R/L GA2B-69-95Y
- 9 Rear R/L GA2B-69-95Z
- 10 Plate, Guide† R GA2B-69-9H3
 L GA2B-69-9H4
†Included w/Sunroof Frame Assy
- 11 Deflector, Wind GA2B-69-881
- 12 Link, Deflector R/L GA2B-69-882-3
- 13 Drive Unit GA2B-69-861
- 14 Closer, Sunroof R GA2B-69-9H1
 L GA2B-69-9H2
 R GA2B-69-864A
 L GA2B-69-865A
- 15 Rail, Guide R/L GA2B-69-851-2
- 16 Plate, Position R/L GA2B-69-858-9
- 17 Motor, Sunroof GA2B-69-871
- 18 Harness, Motor GA2B-69-872
- 19 Handle, Sunroof FB03-69-982

BACK WINDOW



035-02519

- 1 Glass Assy, Back Window Mazda GC1V-63-930
 GA2A-63-959
- 2 Terminal, Glass (2) GA2A-63-959
†Included w/Back Window Glass Assy
- 3 Dam, Back Glass GA7B-50-899
- 4 Spacer, Glass R/L GA2A-50-891B
- 5 Marker, Glass R/L D061-50-893



035-01875

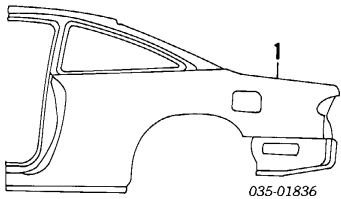
- 6 Moulding Assy, Back Glass R 8AG8-50-612
 L 8AG8-50-613
- 7 Joint Assy, Moulding Upper† (a) GA2A-50-6HYB
 GA2A-50-6H3B
- 8 Protector, Upr Joint† (a) (a) Included w/Moulding Upper Joint Assy
- 9 Joint Assy, Moulding Lower† GA2A-50-6LOB
- 10 Protector, Lwr Joint† (b) GA2A-50-6H3B
(b) Included w/Moulding Lower Joint Assy
- 11 Protector, Lwr Mldg† R GA2A-50-6H1B
 L GA2A-50-6H2B
†Included w/Back Glass Moulding Assy
- 12 Protector, Upper Mldg R/L GA2A-50-6G4B
- 13 Protector, Side Mldg Retainer, Mldg R/L GA2A-50-6G2A
- 14 Type A (1/Side)† R/L GA2A-50-6G8B
- 15 Type B (4/Side)† R/L GA2A-50-6H9
- 16 Type C (4/Side)† R/L H260-50-6K8
†Included w/Back Glass Moulding Assy

QUARTER PANEL

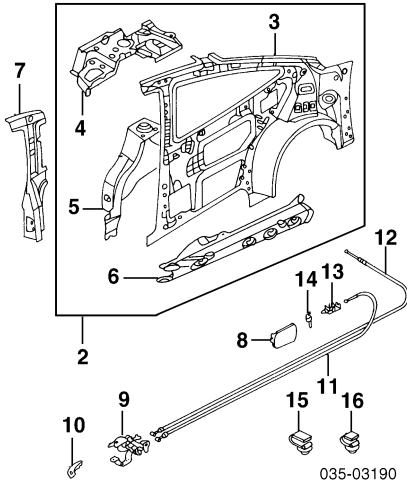
SHEET METAL

Illustration Located in Next Column

- 1 Panel, Outer Quarter R GAYA-70-400



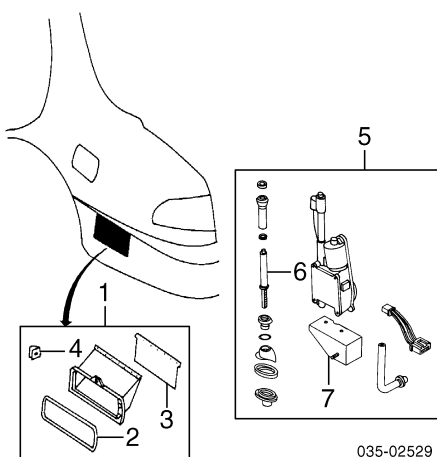
035-01836



035-03190

- 2 Panel Assy, Inner
L GAYA-71-400
R GAYA-70-100A
L GAYA-71-100B
- 3 Panel, Inner (1)
R GA2A-70-11XA
L GA2A-71-11XB
- 4 Ext. Package Tray (1)
R GA2A-70-180A
L GA2A-71-180A
- 5 Panel, Wheelhouse (1)
R GA2A-70-150
L GA2A-71-150
- 6 Reinf, Rocker (1)
R GA2A-70-130B
L GA2A-71-130B
- 7 Reinf, Pillar
R GA2A-70-360A
L GA2A-71-360A
- 8 Door, Fuel
L GA2A-42-410
- 9 Lever, Opener
GA2A-56-860A
- 10 Knob, Opener
GA2A-56-861
- 11 Cable, Fuel Door
GA2A-56-880B
- 12 Cable, Deck Lid
GA2A-56-870A
- 13 Opener, Fuel Door
EA01-56-890D
- 14 Spring, Opener
D061-42-451B
- 15 Clip, Fuel Door Cable (2)
M003-66-941
- 16 Clip, Luggage Lid Cable (6)
H260-67-054

EXTERIOR TRIM



035-02529

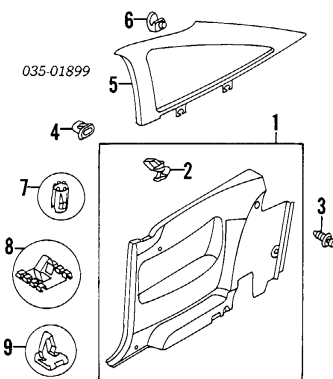
- Moulding, Side
Body Color
- Black R GD1P-50-683-00
L GD1P-50-693-00
- Burgundy R GD1P-50-683-00
L GD1P-50-693-00
- White R GD1P-50-683-00
L GD1P-50-693-00
- Paint to Match R GD1P-50-683-00
L GD1P-50-693-00

- 1 Chamber Assy, Extractor L GA2A-51-920B
- 2 Gasket, Chamber (1) GA2A-51-922
- 3 Valve, Extractor (1) GA2A-51-924A
- 4 Clip (1) (4) GA2A-51-925A
- 5 Antenna Assy, Power
To 12-94 0000-81-0533
From 12-94 0000-81-6930
- 6 Mast, Antenna (1)
To 12-94 0000-81-0532-CR
From 12-94 0000-81-6626
- 7 Bracket, Motor (1)
To 12-94 GA2B-66-A9X
From 12-94 GA2L-66-A9X

(1)Included w/Extractor Chamber Assy

(1)Included w/Power Antenna Assy

INTERIOR TRIM
1993-96



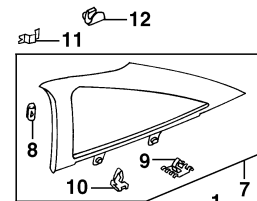
- 1 Panel Assy, Quarter Trim (1)
Cloth
Black 93 R GA2A-68-520E-02
L GA2A-68-550F-02
- 94-95 R GD4T-68-520B-02
L GB7G-68-550A-02
- 96 R GD4T-68-520B-02
L GD4T-68-550B-02
- 94-95 R GD4T-68-520B-90
L GD4T-68-550B-90
- 96 R GD4T-68-520B-90
L GD4T-68-550B-90
- Beige 94-95 R GA2A-68-520E-78
L GA2A-68-550F-78
- Taupe R GA2A-68-520E-78
L GA2A-68-550F-78
- Vinyl
Black R GD4W-68-520B-02
L GD4W-68-550B-02
- Beige R GD4W-68-520B-90
L GD4W-68-550B-90
- Taupe R GA2E-68-520E-78
L GA2E-68-550F-78

- 2 Clip, Trim (a) (3/Side) R/L GJ12-68-865
- 3 Fastener, Trim Panel R/L GJ21-68-885B-02
Beige R/L GJ21-68-885B-43
Taupe R/L GJ21-68-885B-78
- 4 Grommet, Trim Panel R/L E001-68-506
- 5 Trim, Pillar R GA2A-68-250G-02
Black L GA2A-68-260H-02
Beige R GA2A-68-250G-80
Taupe L GA2A-68-260H-80
R GA2A-68-250G-78
L GA2A-68-250H-78
- 6 Hook, Coat B481-69-531A-80
Beige B481-69-531A-78
Black B481-69-531A-02
- 7 Clip, Pillar Trim R/L LA10-68-D21
- 8 Type A (2/Side) R/L GN81-68-279
- 9 Type C (7/Side) R/L GJ12-68-865

INTERIOR TRIM
1997

Illustration Located in Next Column

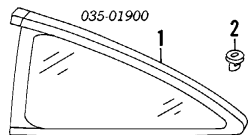
- 1 Panel Assy, Quarter Trim
Base Model
Black R GD4T-68-520B-02
L GD4T-68-550B-02
- Beige/Brown R GD4T-68-520B-90
L GD4T-68-550B-90
- LS Model
w/Leather Pkg
Black R GD4W-68-520B-02
L GD4W-68-550B-02
- Beige/Brown R GD4W-68-520B-90
L GD4W-68-550B-90
- w/o Leather Pkg



035-02843

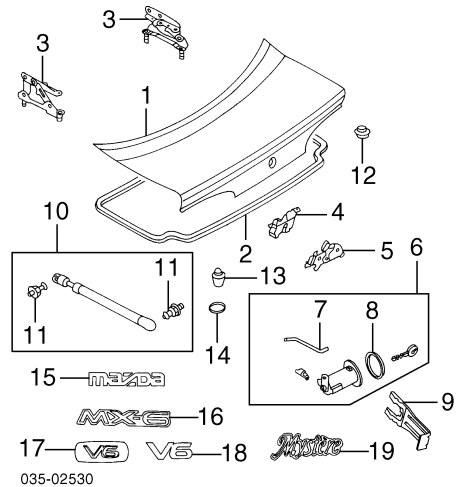
- Black R GD4V-68-520B-02
L GD4V-68-550B-02
- Beige/Brown R GD4V-68-520B-90
L GD4V-68-550B-90
- 2 Clip, Trim (1) (3/Side) R/L GJ12-68-865
- 3 Grommet, Clip (3/Side) R/L E001-68-506
- 4 Clip, Trim (3/Side) R/L GJ21-68-885B-02
Black R/L GJ21-68-885B-43
Beige R GD4T-68-5U1B
5 Pad, Trim Panel L GD4T-68-5U6B
R/L BF82-50-033
- 6 Clip, Pad (2/Side) R/L GA2A-68-250G-02
7 Trim Assy, Pillar L GA2A-68-260H-02
Black R GA2A-68-250G-80
Light Beige L GA2A-68-260H-80
- 8 Clip, Trim (1) (2/Side) R/L LA10-68-D21
- 9 Type B (2/Side) R/L GN81-68-279
- 10 Type C (7/Side) R/L GJ12-68-865
- 11 Hook, Coat (1) (2/Side) R/L B481-69-531A-02
Black R/L B481-69-531A-80
Light Beige R/L B481-69-531A-78
- 12 Bracket, Coat Hook R/L GA5R-69-542A

QUARTER GLASS



- 1 Glass, Quarter R GA2A-50-G10C
Mazda L GA2A-50-G20C
- 2 Fastener, Glass R/L B130-51-919

LUGGAGE LID

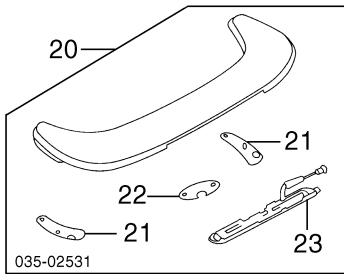


035-02530

MAZDA MX6 1993-97

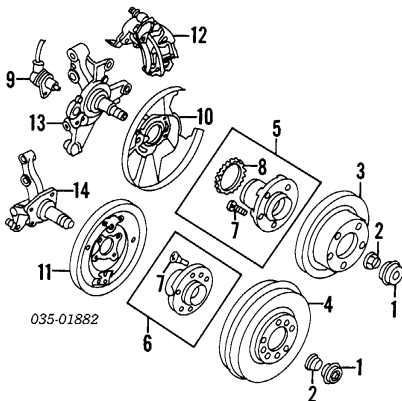
LUGGAGE LID Cont'd

- | | |
|---|--------------------------------------|
| 1 Lid, Luggage
w/Spoiler
w/o Spoiler | GAYB-52-610
GAYA-52-610 |
| 2 Weatherstrip, Lid | GA2A-56-951C |
| 3 Hinge | R GA2A-52-710B
L GA2A-52-720B |
| 4 Lock, Luggage Lid | GA2A-56-820C |
| 5 Striker, Lid | GA2A-56-840A |
| 6 Cylinder & Key Assy [¶]
w/Theft Deterrent
w/o Theft Deterrent | GA2A-76-230B
GA2B-76-230B |
| [¶] Included w/Lock Cylinder Set-listed in Steering Wheel/Column Section | |
| 7 Rod, Trunk Opener (a) | GA2A-56-822A |
| 8 Gasket, Cylinder (a)
To 4-95
From 4-95 | GJ21-56-904
GA2A-56-904 |
| (a) Included w/Cylinder & Key Assy | |
| 9 Fastener, Cylinder | GJ21-56-902A |
| 10 Stay Assy, Lid [¶]
w/Spoiler
w/o Spoiler | R/L GA2B-56-930B
R/L GA2A-56-930B |
| 11 Ball, Stud (a) (2/Side)
[¶] Add'l Parts &/or Dealer Contact Required
(a) Included w/Lid Stay Assy | R/L B01A-62-625 |
| 12 Cover, Hole | R/L B499-62-868 |
| 13 Cushion, Rubber | R/L B545-56-801B |
| 14 Tape, Protector | R/L G043-62-864A |
| 15 Emblem (Clip-On)
"Mazda" | GA2A-51-710 |
| 16 "MX-6" | GA2A-51-720 |
| 17 Emblem (Adhesive)
"V6" | GA2A-51-771B |
| 18 USA | N.A. |
| 19 Canada | N.A. |
| 20 "Mystere"
Canada | N.A. |



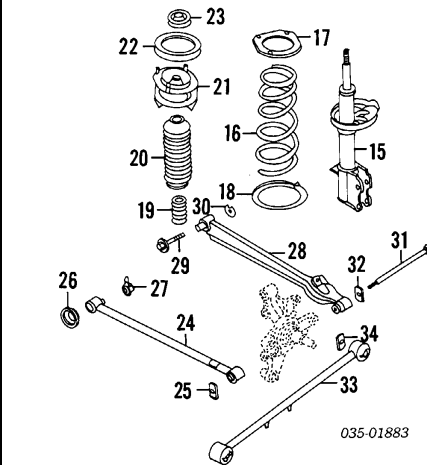
- | | |
|---|--------------------------------|
| 20 Spoiler Assy [¶] | GA2A-51-960A-PZ |
| [¶] Black listed, Order by Application | |
| B1 Valencia Pearl Coat; | |
| G1 Sahara Gold Metallic; G2 Nassau Blue Metallic; | |
| J3 Platinum; J4 Passion Rose; NN Ebony; | |
| NU Vintage Red; PZ Brilliant Black; UA Cameo White; | |
| UK Performance White; 36 Dark Lobelia; 48 Medium Poppy; | |
| 21 Sandalwood; 24 Timberline Metallic | |
| PE Vivid Yellow; 4Y Caribbean Blue; 5S Neat Green | |
| Gasket, Spoiler (a) | |
| 21 Side | R GA2A-51-9G6
L GA2A-51-9G7 |
| 22 Center | GA2A-51-965 |
| 23 Lamp, Stop (a)-See Rear Lamps Section
(a) Included w/Spoiler Assy | |

REAR SUSPENSION

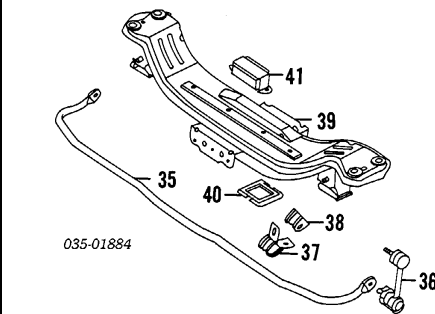


- | | |
|----------------------------|------------------|
| 1 Cap, Hub | R/L GA2A-26-071 |
| 2 Nut, Hub | R/L GJ21-33-042B |
| 3 Rotor, Brake | R/L GA3Y-26-251 |
| 4 Drum, Brake | R/L GA2Y-26-251A |
| 5 Hub Assy, Wheel
w/ABS | R/L GA2G-26-15X |
| 6 w/o ABS | R/L GD7A-26-15X |

- | | |
|---|---|
| 7 Bolt, Hub [¶] | R/L GA2A-33-062 |
| 8 Ring, Sensor [¶] | R/L GA2G-26-471 |
| [¶] Included w/Wheel Hub Assy | |
| 9 Sensor, ABS-See Front Inner Structure Section | |
| 10 Shield, Splash | R GA2E-26-261
L GA2E-26-271 |
| 11 Plate, Backing | R GA2A-26-280
L GA2A-26-290 |
| 12 Caliper, Brake | 93 R G5Y6-26-98ZR
L G5Y6-26-99ZR
94-97 R G5Y6-26-98ZR
L G5Y6-26-99ZR |
| Hose, Brake [¶] | R/L GA2A-43-810 |
| [¶] Order by Application | |
| Knuckle | |
| 13 Disc Brakes
w/ABS | R GA2G-26-1A0A
L GA2G-26-1B0A |
| w/o ABS | R GA2E-26-1A0A
L GA2E-26-1B0A |
| 14 Drum Brakes | R GD7A-26-1A0
L GD7A-26-1B0 |



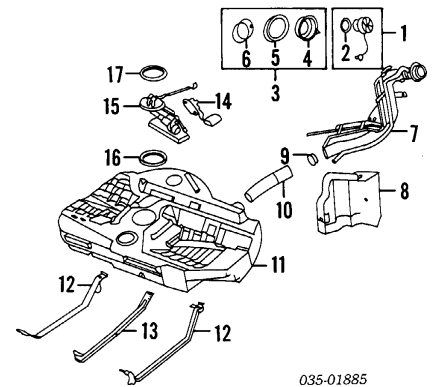
- | | |
|--------------------------------------|--|
| 15 Strut | R/L GB7E-28-700 |
| 16 Coil, Spring | 93-95 R G476-28-011
L G477-28-011
96-97 R GB7E-28-011
L KB44-28-011 |
| 17 Seat, Spring Upper | R/L GA2A-28-012A |
| 18 Seat, Spring Lower | R/L GA2A-28-0A3A |
| 19 Stopper, Bumper | R/L GA2A-28-111 |
| 20 Boot, Dust | R/L GA2A-28-0A5 |
| 21 Mount, Insulator | R/L GA2A-28-380A |
| 22 Pad, Spring | R/L GA2A-28-003 |
| 23 Cap, Mount | R/L GA2A-28-019 |
| 24 Link, Front Lateral
To 10-3-95 | R GA2A-28-620
L GA2A-28-62X |
| From 10-3-95 | R GC2A-28-620
L GC2A-28-62X |
| Washer, Front Lateral Link | |
| 25 Outer (2/Side) | R/L GA2A-28-998A |
| 26 Inner | R/L GA2A-28-662 |
| 27 Nut Set | R/L GA2A-28-66Y |
| 28 Link, Rear Lateral | R GC5J-28-600
L GC5J-28-60X
R CAY9-28-6AZ |
| 29 Bolt, Adjust | 93-96 R/L CA35-28-66ZA
97 R/L H266-28-473
97 R/L CA35-28-473 |
| 30 Plate, Cam | 93-96 R/L H266-28-473
97 R/L CA35-28-473 |
| 31 Bolt, Rear Link | R/L GA2A-28-113A |
| 32 Washer, Bolt | R/L GA2A-28-999A |
| 33 Link, Trailing | R/L GA2A-28-200A |
| 34 Washer, Link (2/Side) | R/L GA2A-28-998A |



- | | |
|--------------------------------|--|
| 35 Bar, Stabilizer | GA5R-28-151 |
| 36 Link, Stabilizer
To 9-95 | R/L GA2C-28-170B |
| From 9-95 | R/L GD1J-28-170 |
| 37 Brkt, Stabilizer | 93 R/L GA2A-28-155A
94-97 R/L GB6H-28-155
R/L GA2A-28-156A |
| 38 Bushing, Stabilizer | GA2A-28-800 |
| 39 Crossmember, Susp | GA2A-28-800 |
| 40 Cover, Crossmember | R/L GA2A-28-831A |

- | | |
|--------------------|-------------|
| 41 Damper, Dynamic | GA2A-28-660 |
|--------------------|-------------|

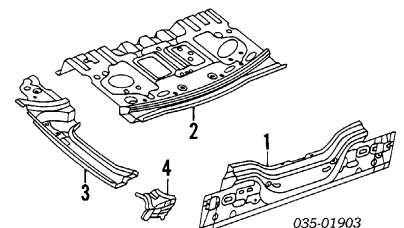
FUEL TANK



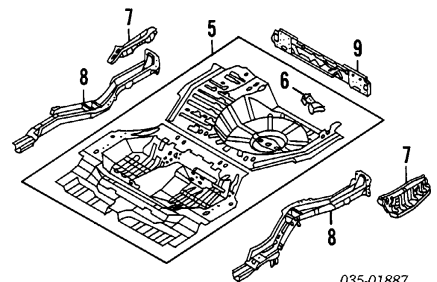
- | | |
|---|--------------------|
| 1 Cap Assy, Fuel | GAY1-42-250 |
| 2 Gasket, Cap [¶] | GA2A-42-252 |
| [¶] Included w/Fuel Cap Assy | |
| 3 Cover Assy, Dust | GA2A-42-240B |
| 4 Cover, Lever [¶] | GA2A-42-241B |
| 5 Gasket, Upper [¶] | GA2A-42-244 |
| 6 Gasket, Lower [¶] | BF71-42-243 |
| [¶] Included w/Dust Cover Assy | |
| 7 Hose, Filler | GA2A-42-210B |
| 8 Protector, Hose | GA2A-42-291A |
| 9 Valve, Check | GA2A-42-270 |
| 10 Hose, Joint | GA2A-42-231B |
| 11 Tank, Fuel | GA2A-42-A10J |
| 12 Band, Tank Mtg Outer
Right | GA2A-42-710A |
| Left | |
| 4 Cyl | |
| Man Trans | |
| To 9-94 | GA2A-42-720C |
| From 9-94 | GB6H-42-720D |
| Auto Trans | |
| 6 Cyl | 93-94 GA2A-42-720C |
| | 95-97 GB6K-42-720D |
| | GA2A-42-730A |
| 13 Band, Tank Mtg Center | |
| 14 Gauge, Fuel Tank
To 7-95 | GA2A-60-960B |
| From 7-95 | GA2A-60-960B |
| 15 Pump, Fuel
To 12-94 | KL12-13-350G |
| From 12-94 | KL12-13-350H |
| 16 Gskt, Fuel Pump | GA2A-42-A61A |
| 17 O-Ring | BW0A-42-A62 |

REAR BODY

SHEET METAL



- | | |
|--------------------|----------------------------------|
| 1 Panel, Rear Body | GA2A-70-750B |
| 2 Tray, Package | GA2A-70-500C |
| 3 Rail, Rear Drip | R GA2A-70-440D
L GA2A-71-440D |
| 4 Plate, Corner | R GA2A-70-481A
L GA2A-71-481A |

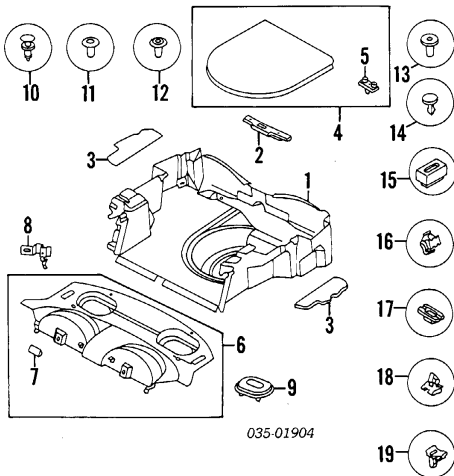


- | | |
|---|----------------|
| 5 Pan Assy, Rear Floor | GAYA-53-71Y |
| 6 Hanger, Muffler [¶] | GJ21-53-770A |
| [¶] Included w/Rear Floor Pan Assy | |
| 7 Panel, Side Floor | R GN61-53-731B |

MAZDA MX6 1993-97

8 Rail, Rear Side	L GA2A-54-731C R GA2A-53-810D
9 Crossmember, Rear	L GA2A-54-810D GD7B-53-980

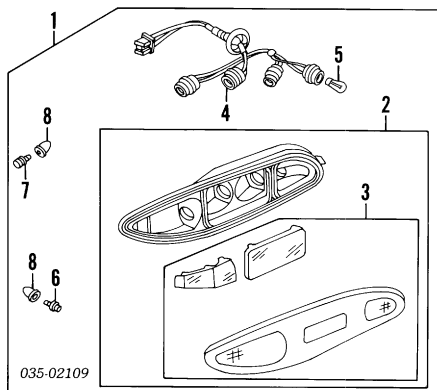
INTERIOR TRIM



- | | |
|---|----------------------------------|
| 1 Mat, Trunk Room | GA2B-68-81XF-97 |
| 2 Trim, Trunk End | GA2B-68-891D-96 |
| 3 Board, Trunk | R GA2B-68-8E0D
L GA2B-68-8F0B |
| 4 Cover Assy, Spare | GA2B-68-83XB-97 |
| 5 Retainer, Cover | R/L GA2B-68-832 |
| *Included w/Spare Cover Assy | |
| 6 Panel Assy, Package Tray Trim (a) | |
| w/Spoiler | GA2D-68-3A0F-02 |
| w/o Spoiler | GA2A-68-3A0F-02 |
| (a) Black listed, Order by Application | |
| 02 Black; 78 Taupe; 90 Brown | |
| 7 Label, Seat Lock | R GA2A-69-A31A
L GA2A-69-A32A |
| *Included w/Package Tray Trim Panel Assy | |
| 8 Brkt, Trim Panel | R GA2A-68-3CX
L GA2A-68-3CY |
| 9 Grille, Speaker | R/L GA2A-68-3S0A-02 |
| *Black listed, Order by Application | |
| 02 Black; 78 Taupe; 90 Brown | |
| Speaker, Radio Retainer, Trunk Mat | R/L GA2C-66-96X |
| 10 Type A (5) | R/L GJ21-68-885B-02 |
| 11 Type B (2) | R/L B235-68-865B |
| 12 Type C (2) | R/L G032-68-866B |
| 13 Type D | R/L KA01-68-86YA |
| 14 Type E (4) | R/L S083-68-865A-09 |
| *Black listed, Order by Application | |
| 00, 02 Black; 29 Gray; 78 Taupe; 90 Brown; 96 Dark Gray | |
| Clip, Package Tray Trim Panel | |
| 15 Type A (2) | R/L GA5R-68-155A |
| 16 Type B (8) | R/L GA2A-68-3A9 |
| 17 Type C (2) | R/L H001-68-719C |
| 18 Type D (2) | R/L GJ21-68-865 |
| 19 Type E (2) | R/L GJ12-68-865 |

REAR LAMPS

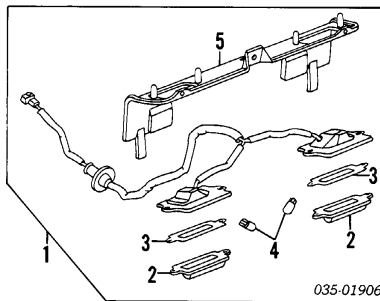
COMBINATION LAMP



- | | |
|---------------------------------|----------------------------------|
| 1 Lamp Assy | R 8DGV-51-150
L 8DGV-51-160 |
| 2 Lens & Body Assy | R GA2A-51-170C
L GA2A-51-180C |
| 3 Lens (a) | R GA2A-51-151
L GA2A-51-161 |
| (a) Included w/Lens & Body Assy | |

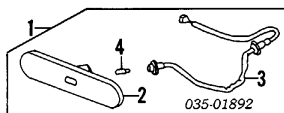
- | | |
|-----------------------|------------------|
| 4 Socket w/Wire | R/L GA2A-51-155A |
| 5 Bulb | |
| 27 Watt | R/L 0000-11-1157 |
| 23 Watt | R/L 0000-11-1156 |
| 6 Clip, Lamp | |
| Inner | R/L EA04-51-146A |
| Outer | R/L EA01-51-146 |
| 8 Grommet, Clip | R/L EA02-51-146A |
| *Included w/Lamp Assy | |

LICENSE LAMP



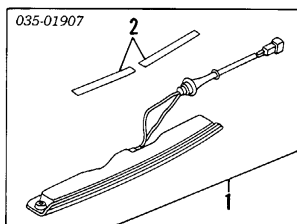
- | | |
|-----------------------|------------------|
| 1 Lamp Assy | 8BG8-51-270 |
| 2 Lens | R/L G225-51-274B |
| 3 Gasket | R/L G225-51-273 |
| 4 Bulb | R/L 0000-11-0168 |
| 5 Brkt, Lamp Mount | GA2A-51-261 |
| *Included w/Lamp Assy | |

SIDE MARKER LAMP



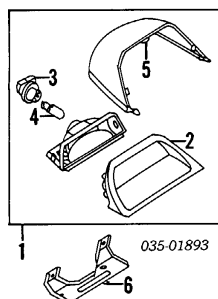
- | | |
|-----------------------|----------------------------------|
| 1 Lamp Assy | R GA2A-51-5H0B
L GA2A-51-5J0C |
| 2 Lens | R GA2A-51-5H1B
L GA2A-51-5J1B |
| 3 Socket w/Wire | R/L GA2A-51-5H2A |
| 4 Bulb | R/L 0000-11-0194 |
| *Included w/Lamp Assy | |

HIGH MOUNT STOP LAMP SPOILER MOUNTED



- | | |
|---|-----------------|
| 1 Lamp Assy (a) | GA2C-51-580D |
| 2 Protector, Lamp (a) | R/L B603-51-582 |
| *Included w/Lamp Assy | |
| (a) Included w/Spoiler Assy-listed in Luggage Lid Section | |

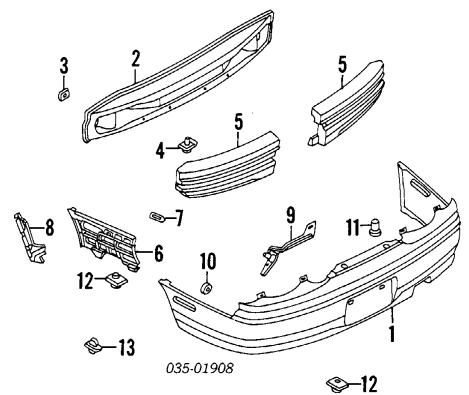
HIGH MOUNT STOP LAMP PACKAGE TRAY MOUNTED



- | | |
|-------------|----------------|
| 1 Lamp Assy | |
| Black | GA2A-51-580-02 |
| Brown | GA2A-51-580-90 |
| Taupe | GA2A-51-580-78 |
| 2 Lens | |
| Black | GA2A-51-593-02 |
| Brown | GA2A-51-593-90 |

- | | |
|-----------------------|----------------|
| Taupe | GA2A-51-593-78 |
| 3 Socket | GA2A-51-584 |
| 4 Bulb | 0000-11-0921 |
| 5 Cover, Lamp | |
| Black | GA2A-51-587-02 |
| Brown | GA2A-51-587-90 |
| Taupe | GA2A-51-587-78 |
| *Included w/Lamp Assy | |
| 6 Brkt, Lamp Mount | GA2A-51-598 |

REAR BUMPER



- | | |
|-------------------------|----------------------------------|
| 1 Cover, Rear (P) | GAY1-50-22XA-00 |
| (P) Paint to Match | |
| 2 Bar, Impact | GA2A-50-260 |
| 3 Gasket, Seal (2/Side) | R/L G030-50-285 |
| 4 Fastener, Bumper (4) | BF82-50-233 |
| 5 Absorber, Impact | R GA2A-50-31XA
L GA2A-50-31YA |
| 6 Retainer, Side | R GA2A-50-3J1B
L GA2A-50-3J5B |
| 7 Clip, Retainer | R/L GJ21-50-049 |
| 8 Shield, Splash | R GA2A-50-2S1B
L GA2A-50-2S5B |
| 9 Plate, Set | R GA2A-50-2B0
L GA2A-50-2C0 |
| 10 Gasket, Set Plate | R/L J001-50-252 |
| 11 Clip, Cover | R/L NA01-50-068 |
| 12 Grommet, Screw (8) | HG30-50-048 |
| 13 Retainer, Cover | R/L GA2A-50-0Z5 |